

# Ball Valve S4, 2-ways manual

With integrated Praher Labelling System



**General:**

Materials: PVC-u; PP, PVDF  
 Sealing materials: EPDM, FPM  
 Ball seating joints: PTFE (Teflon®)  
 Dimensions: DN10 d16 3/8" – DN80 d110 4"

**End connections:**

- Solvent sockets in DIN / ASTM / JIS  
PVC
- Solvent spigots in DIN  
PVC
- Threaded sockets in BSP / NPT  
PVC / PP / PVDF
- Flanges in DIN / ANSI / JIS / BS  
PVC / PP-GFK
- Fusion sockets in DIN / ASTM  
PP / PVDF / PE
- Fusion spigots in DIN  
PP / PVDF / PE

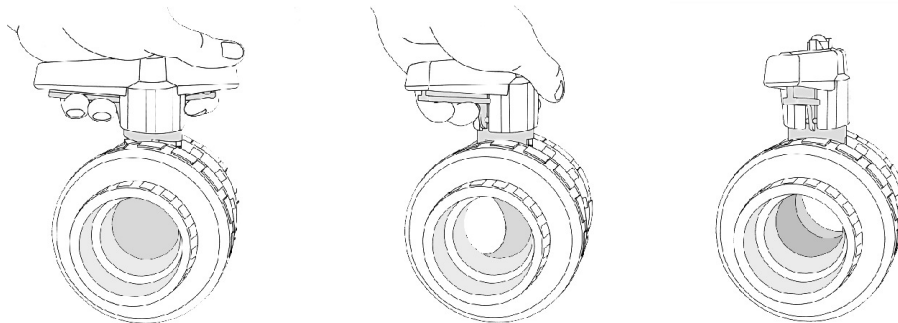
**Operating pressure:**

DN10 d16 3/8" – DN65 d75 21/2"	PN16/10
DN80 d90 3"	PN10/6
DN80 d110 4"	PN6

**Technical specification (e.g. PVC):**

Ball Valve S4 2W DN25 PVC grey  
 with PVC-U socket end d32 metric  
 PN16 EPDM PTFE single packed  
 With safety handle and PLS

**Safety handle system**



**Characteristics:**

- locking handle with integrated PLS – Praher Labelling System
- machined ball
- cushion O-Ring for PTFE seat
- double sealed shaft
- simple upgrade to automatic actuation

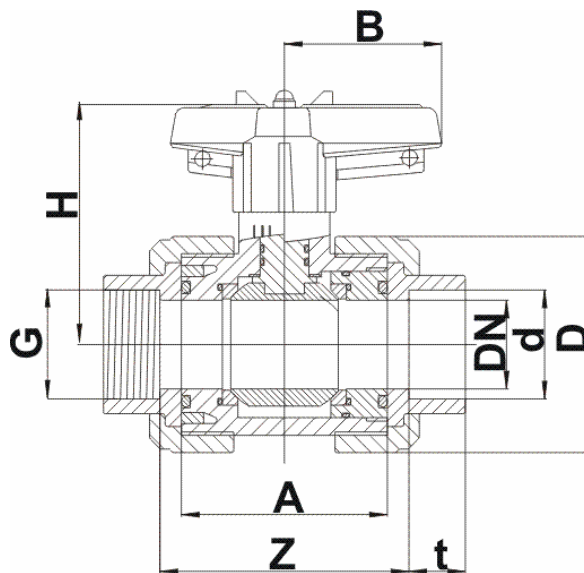


# Ball Valve S4, 2-ways manual

## With integrated Praher Labelling System



### Dimensions



#### PVC-U

End connections  
 PVC Solvent sockets / Threaded sockets  
 PE Fusion sockets

DN	10	15	20	25	32	40	50	65	80	80
d	16	20	25	32	40	50	63	75	90	110
<b>G</b> <sup>1</sup> <sub>GM</sub>	3/8"	1/2"	3/4"	1"	1 1/4"	1 1/2"	2"	2 1/2"	3"	-
<b>A</b>	62	62	70	74	84	95	109	137	163	163
<b>B</b>	40	40	51,5	51,5	64	73	85	110	132	132
<b>D</b>	53	53	63	70	85	101	124,5	155	188	188
<b>H</b>	72	72	78,5	81,5	100	107,5	116,5	144	163	163
<b>t</b> <sup>1</sup> <sub>KM</sub>	16,5	16,5	19,5	22,5	26,5	31,5	38,5	45	55,5	64
<b>t</b> <sup>3</sup> <sub>SM</sub> PE	14,5	16	17	19,5	22	25	29	34,5	37,5	41,5
<b>Z</b> <sup>2</sup> <sub>KM</sub>	68	67	76	80	91	103	120	148	180	173
<b>Z</b> <sup>1</sup> <sub>GM</sub>	67	67	77	81	90	104	120	150	185	-
<b>Z</b> <sup>3</sup> <sub>SM</sub> PE	71	68	80	79	98	115	137	165	210	210
<b>PN</b>	16	16	16	16	16	16	16	16	10	6

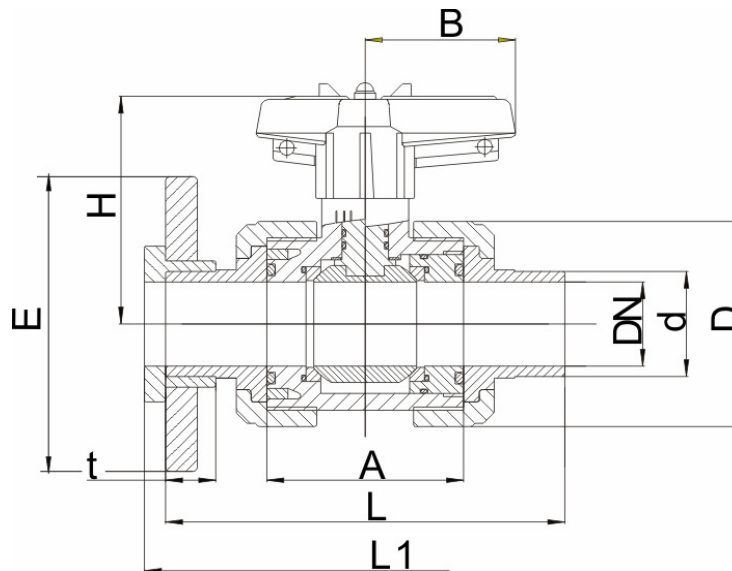
<sup>1</sup>GM = Threaded sockets  
<sup>2</sup>KM = Solvent sockets  
<sup>3</sup>SM = Fusion sockets

© Praher Kunststofftechnik GmbH DBE/D/11/05/160/B Technische Änderungen vorbehalten!



# Ball Valve S4, 2-ways manual

With integrated Praher Labelling System



**PVC-U**

- End connections
- PVC Solvent spigots
- PVC Backing flange / Fix flange
- PE Fusion spigots

DN	10	15	20	25	32	40	50	65	80	80
d	16	20	25	32	40	50	63	75	90	110
<b>A</b>	62	62	70	74	84	95	109	137	163	163
<b>B</b>	40	40	51,5	51,5	64	73	85	110	132	132
<b>D</b>	53	53	63	70	85	101	124,5	155	188	188
<b>H</b>	72	72	78,5	81,5	100	107,5	116,5	144	163	163
<b>t<sub>KS</sub><sup>1</sup></b>	17	17	20	22,5	26,5	31,5	38,5	45	52	64,5
<b>t<sub>SS</sub><sup>2</sup> PE</b>	13	14,5	15,5	18,5	15,5	29	31	32	30	38
<b>E<sub>LF</sub><sup>3</sup></b>	90	95	105	115	140	150	165	185	200	220
<b>E<sub>FF</sub><sup>4</sup></b>	-	97	105	125	140	150	165	185	200	229
<b>L<sub>KS</sub><sup>1</sup></b>	115	125	145	154	174	194	223	287	300	341
<b>L<sub>SS</sub><sup>2</sup> PE</b>	112	123	143	151	142	180	197	253	293	323
<b>L1<sub>LF</sub><sup>3</sup> FF<sup>4</sup></b>	120	130	150	160	180	200	230	290	310	350
<b>PN</b>	16	16	16	16	16	16	16	16	10	6
<b>PN<sub>LF</sub><sup>3</sup></b>	10	10	10	10	10	10	10	10	10	6
<b>PN<sub>FF</sub><sup>4</sup></b>	16	16	16	16	16	16	16	16	10	6

<sup>1</sup>KS = Solvent spigots      <sup>3</sup>LF = Backing flange      - =  
<sup>2</sup>SS = Fusion spigots      <sup>4</sup>FF = Fix flange

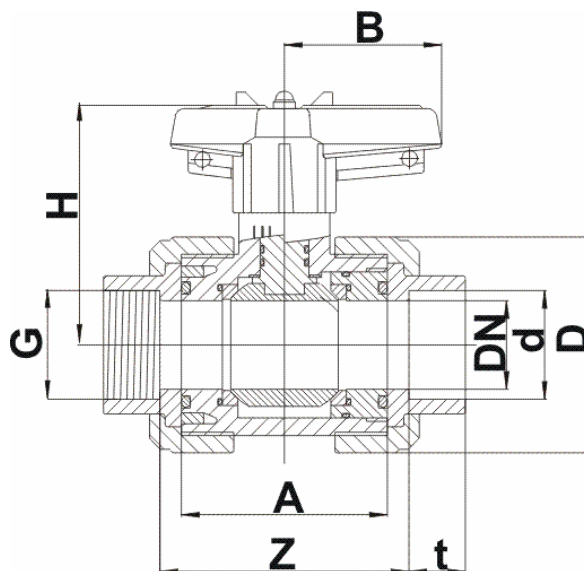
Dimensionen in mm

© Praher Kunststofftechnik GmbH DB/E/ND/1105/160/B Technische Änderungen vorbehalten!



# Ball Valve S4, 2-ways manual

With integrated Praher Labelling System



**PP**  
 End connections  
 PP Fusion sockets / Threaded sockets  
 PE Fusion sockets

DN	10	15	20	25	32	40	50	65	80	80
d	16	20	25	32	40	50	63	75	90	110
<b>G</b> <sup>GM1</sup>	3/8"	1/2"	3/4"	1"	1 1/4"	1 1/2"	2"	2 1/2"	3"	-
<b>A</b>	62	62	69	73	93	94	108	133	160	160
<b>B</b>	40	40	51,5	51,5	64	73	85	110	132	132
<b>D</b>	53	53	64	71	84,5	100	120,5	155	187	187
<b>H</b>	71,5	71,5	77	80,5	98,5	106,5	115,5	142	160	160
<b>t</b> <sup>SM2</sup> PP	16,5	16,5	19,5	22,5	26,5	31,5	38,5	45	55,5	64
<b>t</b> <sup>SM2</sup> PE	14,5	16	17	19,5	22	25	29	34,5	37,5	41,5
<b>Z</b> <sup>GM1</sup>	67	67	74	80	99	103	119	143	180	-
<b>Z</b> <sup>SM2</sup> PP	71	68	78	84	107	113	136	162	211	213
<b>Z</b> <sup>SM2</sup> PE	71	68	79	87	107	114	136	161	207	207
<b>PN</b>	10	10	10	10	10	10	10	10	6	6

Dimensionen in mm

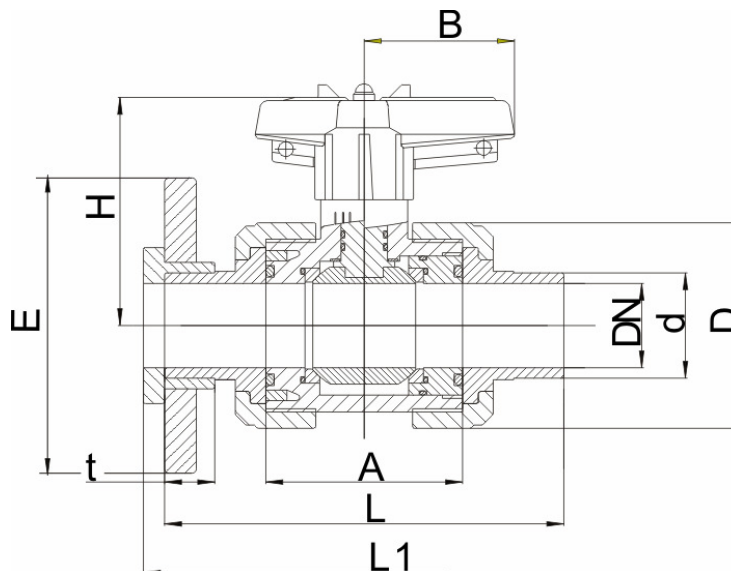
<sup>1</sup>GM = Threaded sockets  
<sup>2</sup>SM = Fusion sockets

© Praher Kunststofftechnik GmbH DB/E/ND/11/05/160/B Technische Änderungen vorbehalten!



# Ball Valve S4, 2-ways manual

With integrated Praher Labelling System



- PP**
- End connections
- PP Fusion spigots
- PE Fusion spigots
- PP-GFK Backing flange
- PP Fix flange

DN	10	15	20	25	32	40	50	65	80	80
<b>d</b>	16	20	25	32	40	50	63	75	90	110
<b>A</b>	62	62	69	73	93	94	108	133	160	160
<b>B</b>	40	40	51,5	51,5	64	73	85	110	132	132
<b>D</b>	53	53	64	71	84,5	100	120,5	155	187	187
<b>H</b>	71,5	71,5	77	80,5	98,5	106,5	115,5	142	160	160
<b>t<sub>SS</sub><sup>1</sup><sub>PP</sub></b>	13	14	15,5	18,5	20,5	23,5	28	31	36	38
<b>t<sub>SS</sub><sup>1</sup><sub>PE</sub></b>	13	14,5	15,5	18,5	15,5	29	31	32	30	38
<b>E<sub>LF</sub><sup>2</sup><sub>DIN</sub></b>	-	95	108	115	140	151	165	186	202	222
<b>E<sub>LF</sub><sup>2</sup><sub>ANSI</sub></b>	-	95	102	114	130	133	162	184	194	229
<b>E<sub>FF</sub><sup>3</sup></b>	-	95	105	115	136	149	160	-	200	228
<b>L<sub>SS</sub><sup>1</sup><sub>PP</sub></b>	114	124	143	152	171	191	220	277	295	312
<b>L<sub>SS</sub><sup>1</sup><sub>PE</sub></b>	112	123	142	150	141	179	196	249	290	320
<b>L1<sub>LF</sub><sup>2</sup></b>	-	130	150	160	180	200	230	290	310	350
<b>L1<sub>FF</sub><sup>3</sup></b>	-	130	150	160	180	200	230	-	310	350
<b>PN</b>	10	10	10	10	10	10	10	10	6	6

Dimensionen in mm

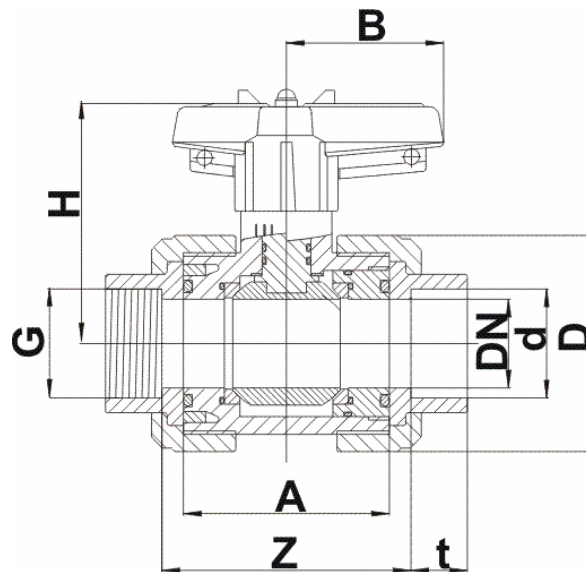
<sup>1</sup>SS = Fusion spigots  
<sup>2</sup>LF = Backing flange  
<sup>3</sup>FF = Fix flange

© Praher Kunststofftechnik GmbH DB/E/ND/1105/160/B Technische Änderungen vorbehalten!



# Ball Valve S4, 2-ways manual

With integrated Praher Labelling System



**PVDF**  
 End connections  
 PVDF Fusion sockets  
 PVDF Threaded sockets

DN	10	15	20	25	32	40	50	65	80	80
d	16	20	25	32	40	50	63	75	90	110
G <sup>GM1</sup>	3/8"	1/2"	3/4"	1"	1 1/4"	1 1/2"	2"	2 1/2"	3"	-
A	62	62	69	73	83	94	108	133	160	160
B	40	40	51,5	51,5	64	73	85	110	132	132
D	52,5	52,5	63	70	83	98,5	118	151	183	183
H	71,5	71,5	77	80,5	98,5	106,5	115,5	142	160	160
t <sup>SM2</sup>	14,5	16	17,5	19,5	22	25,5	29	34,5	38,5	41,5
Z <sup>GM1</sup>	67	67	74	80	89	103	119	143	180	-
Z <sup>SM2</sup>	71	68	78	84	97	113	136	162	207	213
PN	16	16	16	16	16	16	16	16	10	6

Dimensionen in mm

<sup>1</sup>GM = Threaded sockets

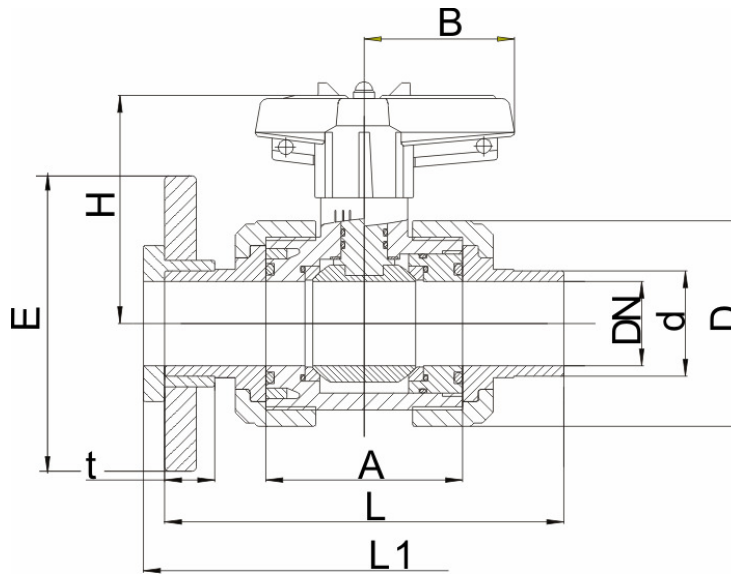
<sup>2</sup>SM = Fusion sockets

© Praher Kunststofftechnik GmbH DBI/END/1105/160/B Technische Änderungen vorbehalten!



# Ball Valve S4, 2-ways manual

With integrated Praher Labelling System



**PVDF**  
 End connections  
 PVDF Fusion spigots  
 PP-GFK Backing flange

DN	10	15	20	25	32	40	50	65	80	80
d	16	20	25	32	40	50	63	75	90	110
A	62	62	69	73	83	94	108	133	160	160
B	40	40	51,5	51,5	64	73	85	110	132	132
D	52,5	52,5	63	70	83	98,5	118	151	183	183
H	71,5	71,5	77	80,5	98,5	106,5	115,5	142	160	160
t <sup>1</sup> <sub>SS</sub>	13	14	15,5	18	20,5	23,5	28	31	36	38
E <sup>2</sup> <sub>LF</sub> DIN	-	95	108	115	140	151	165	186	202	222
E <sup>2</sup> <sub>LF</sub> ANSI	-	95	102	114	130	133	162	184	194	229
L <sup>1</sup> <sub>SS</sub>	114	125	143	152	171	191	220	297	295	320
L1	-	130	150	160	180	20	230	290	310	350
PN	16	16	16	16	16	16	16	16	10	6

Dimensionen in mm

<sup>1</sup>SS = Fusion spigots  
<sup>2</sup>LF = Backing flange

© Praher Kunststofftechnik GmbH DBI/END/1105/160/B Technische Änderungen vorbehalten!



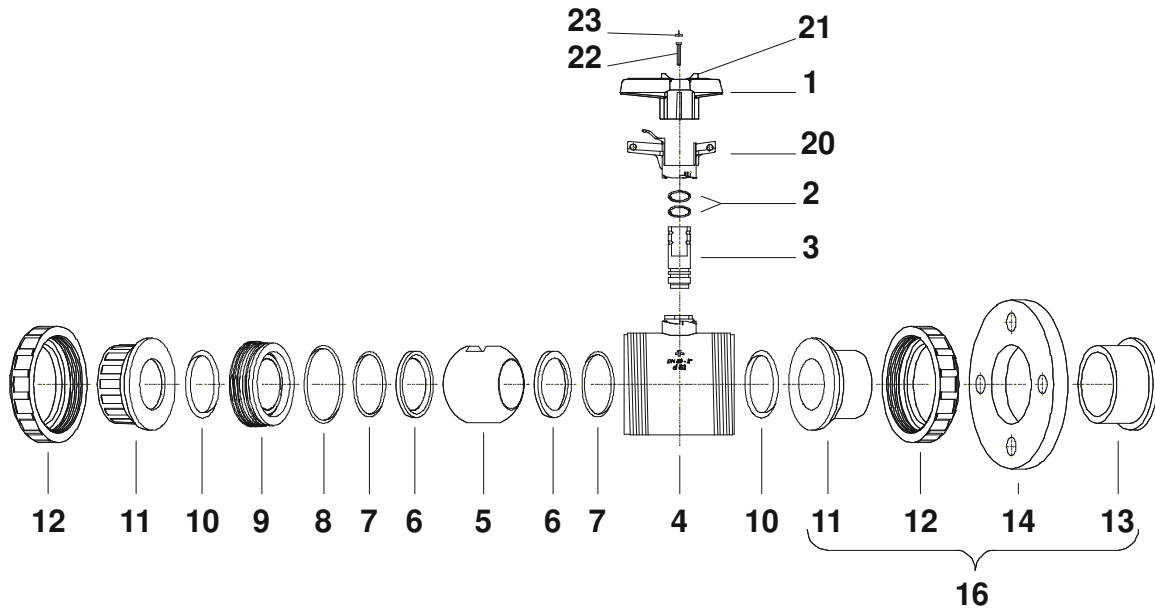
# Ball Valve S4, 2-ways manual

With integrated Praher Labelling System



## Exploded drawing

- 01. Handle
- 02. O-Ring
- 03. Shaft
- 04. Body
- 05. Ball
- 06. Ball seating joints
- 07. O-Ring
- 08. O-Ring
- 09. Trust collar
- 10. O-Ring
- 11. End connection
- 12. Union
- 13. Flange adapter
- 14. Backing ring
- 16. Flange set
- 20. Spring loaded locking sleeve
- 21. Plug for opening trust collar
- 22. Screw



© Praher Kunststofftechnik GmbH DB/EN/D/07/11/160/A Subject to change without prior notice!

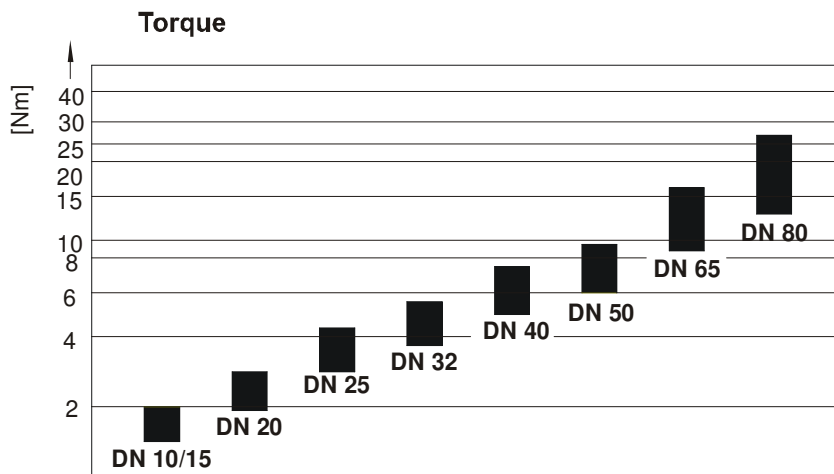
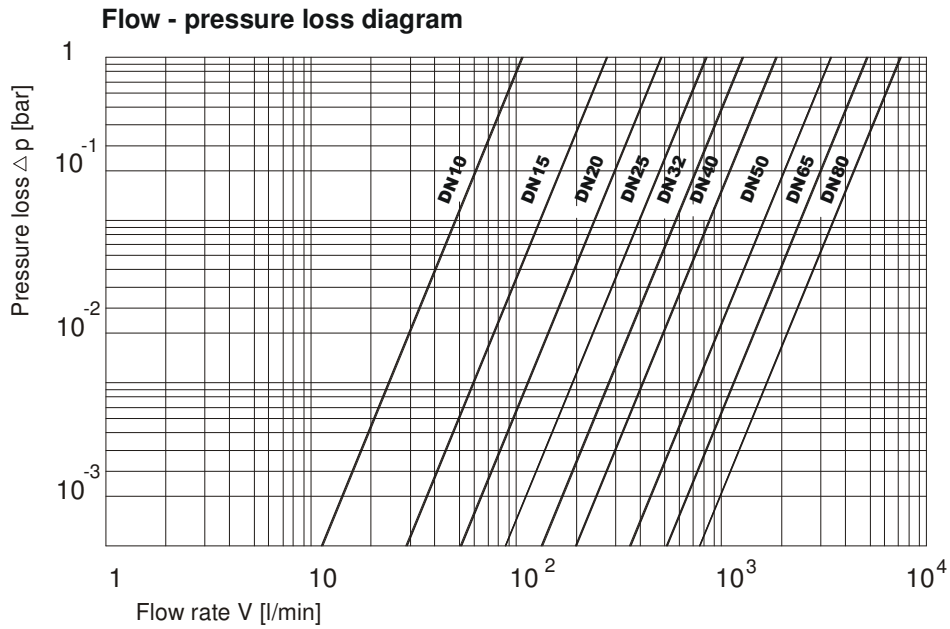




# Ball Valve S4, 2-ways manual With integrated Praher Labelling System



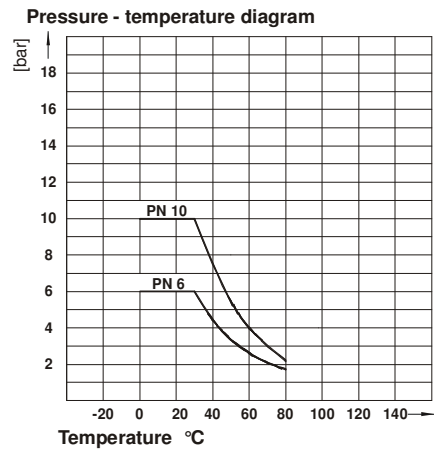
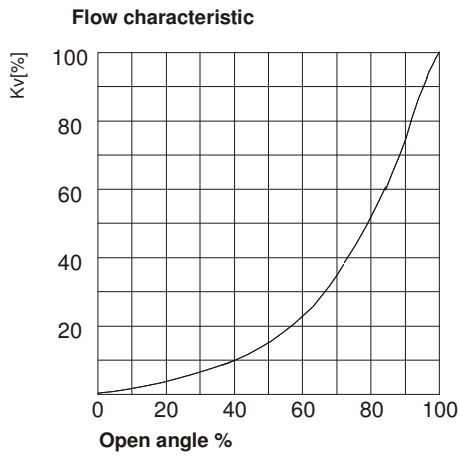
## Datas by diagram



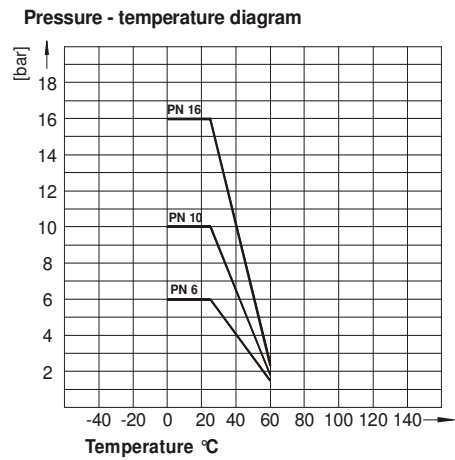
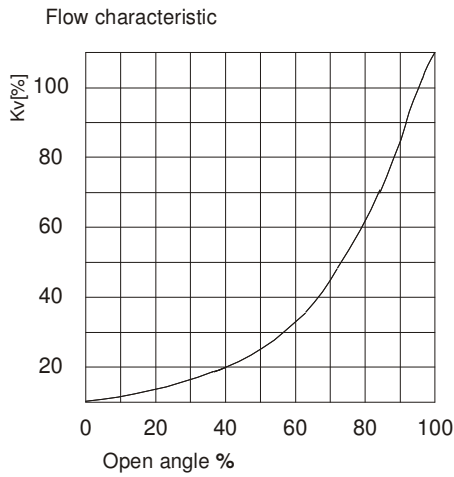
# Ball Valve S4, 2-ways manual With integrated Praher Labelling System



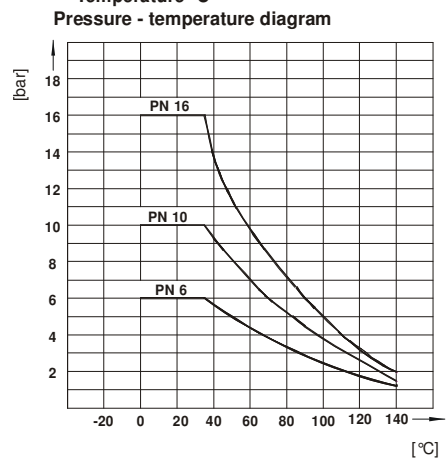
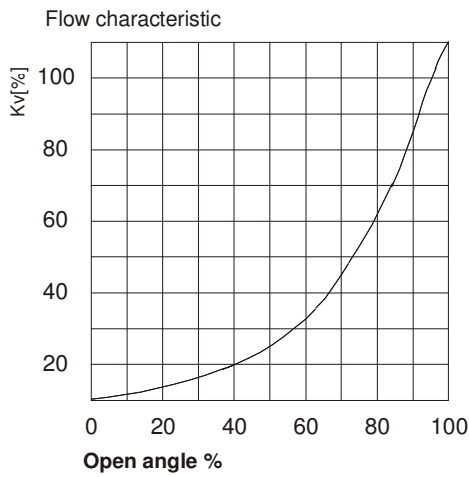
## PP



## PVC



## PVDF



## Ball Valve S4, 2-ways manual With integrated Praher Labelling System



### PLS – Praher Labelling System Easy labelling



### Technical features

- Unique durable label
- Reliable labelling by touch-up pen or laser engraving
- Standard version with yellow plate; other collars in Red, Blue and Green
- Simple and easy to exchange
- Corrosion resistant
- Function of valve 100% guaranteed and not effected by PLS



This print has purpose of providing information but does not express any guarantees.  
Our product range will be extended constantly hence all information correspond to types and products that were valid  
at time of printing.  
Subject to change without prior notice!