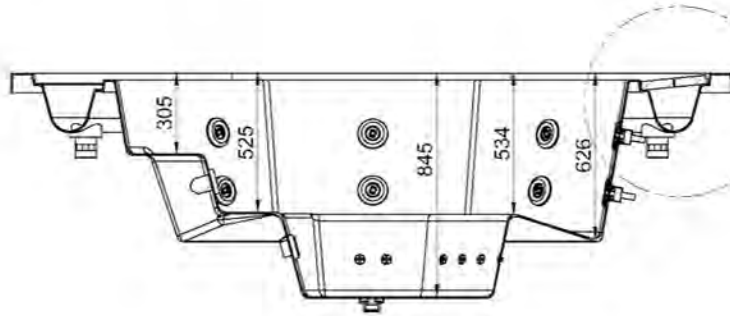
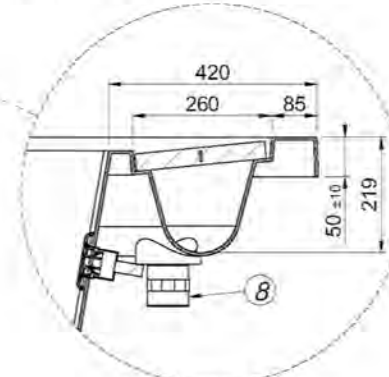


41912 SPA ANTIGUA

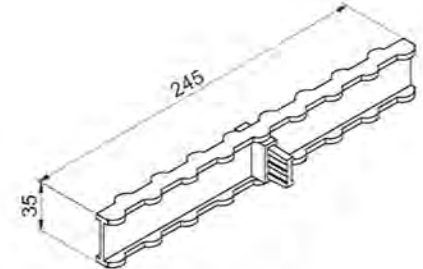
41912 SPA ANTIGUA	41912 METRIC	43741 BRITISH STANDARD
1 Suction-Water Massage Pump 1	1x \varnothing 63 mm FS	1x \varnothing 2" FS
2 Suction-Water Massage Pump 2	1x \varnothing 63 mm FS	1x \varnothing 2" FS
3 Return-Water Massage Pump 1	1x \varnothing 63 mm FS	1x \varnothing 2" FS
4 Return-Water Massage Pump 2	1x \varnothing 63 mm FS	1x \varnothing 2" FS
5 Return-Air Massage	1x \varnothing 63 mm FS	1x \varnothing 2" FS
6 Suction/Return-Filtration Pump Bottom Spa	1x \varnothing 63 mm FS	1x \varnothing 2" FS
7 Return-Filtration Pump Inlets	2x \varnothing 63 mm FS	2x \varnothing 2" FS
8 Overflow Drains	6x \varnothing 75mm FS	6x \varnothing 2.5" FS
9 Light (Optional)	Optional	Optional



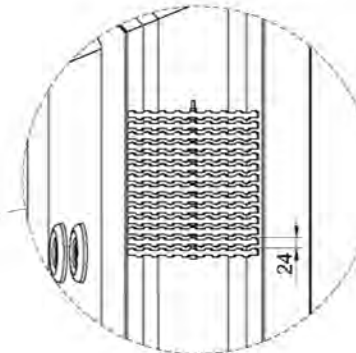
SECTION A A



DETAIL B
SCALE 1:10



DETAIL GRID
SCALE 1:2

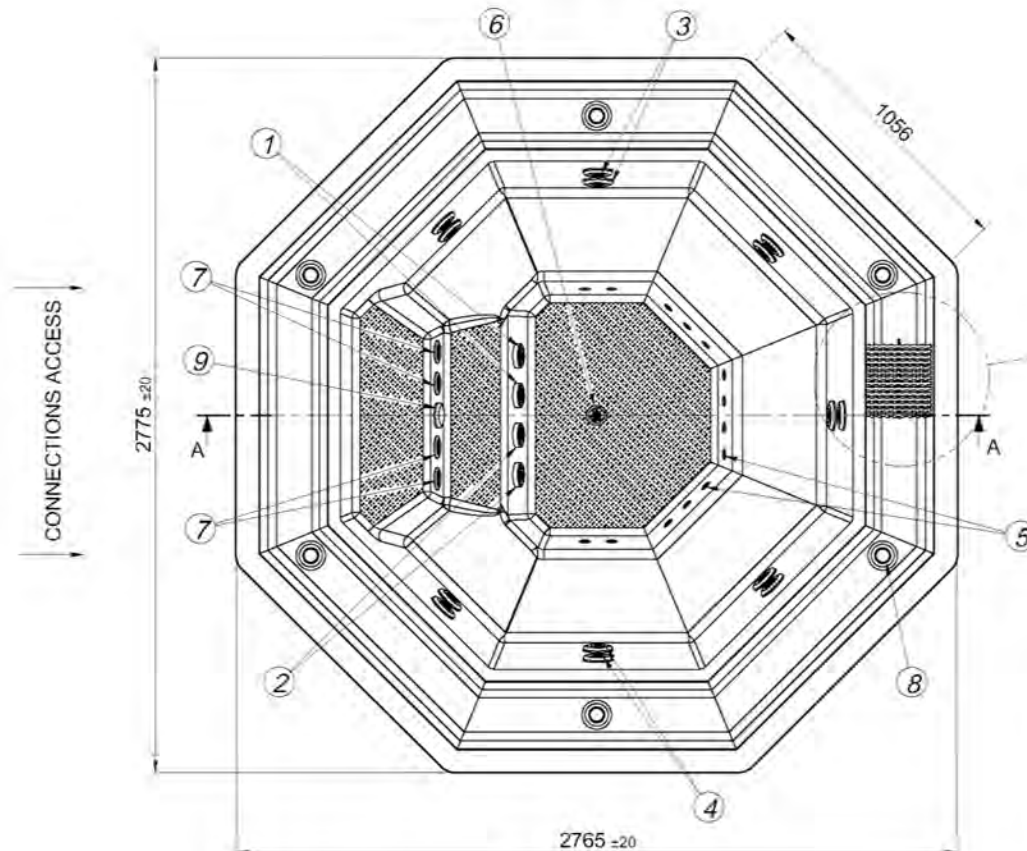


DETAIL C
SCALE 1:10

Dimensions in mm.

Control Dimensions

CC/SC Critical or Significant Characteristics



Change No.	Date	Name	Modification
Remarks (if any):			
Drawn	Date	Name	Part Name
	12-03-09	C. Garcia	
Checked	Date	Name	
	12-03-09	A. Deu	
Scale	General Tolerance	Material	Surface Coating
1:20	DIN 7168 ISO 2783g		
Article number		Drawing type	Weight
41912 / 43741		General Dimensions	(g)
		Surface Hardness	First Angle Projection
		Shore A	

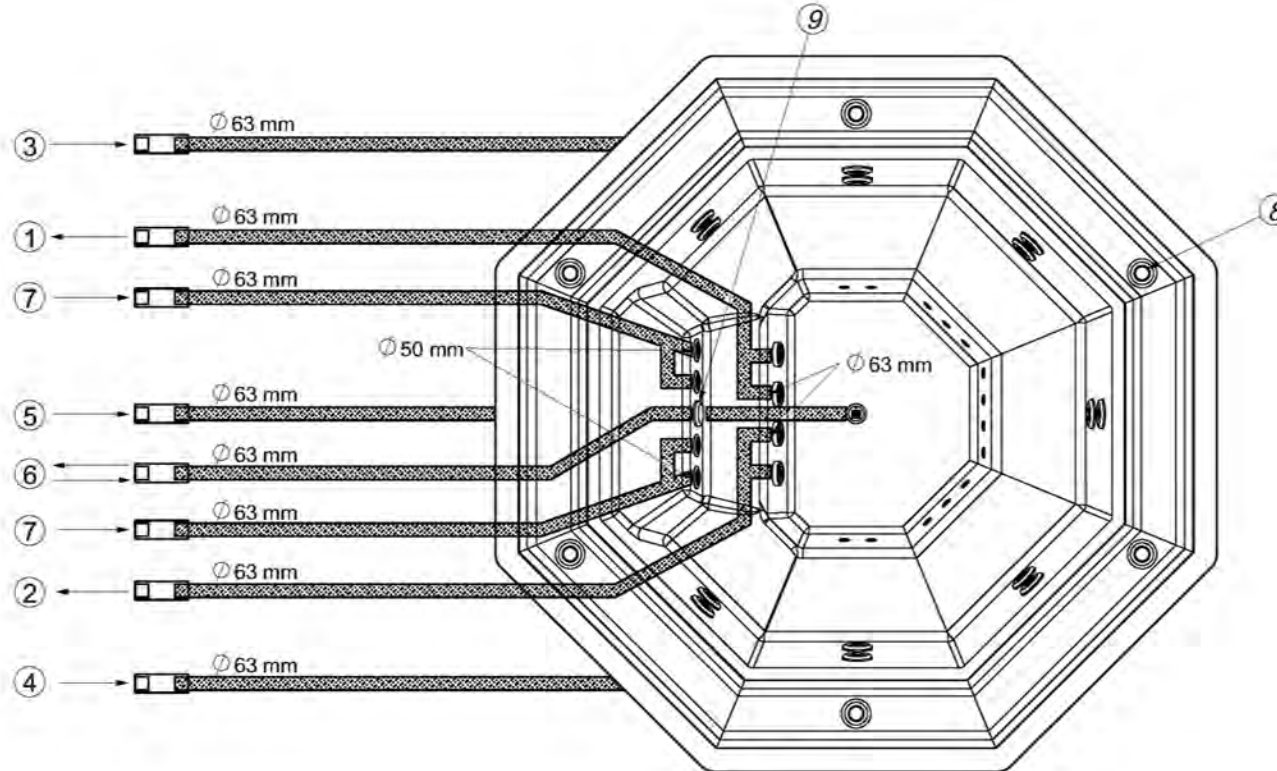


Don't use without permission. Read this information on the label and use it safely for the permitted purpose.

41912 SPA ANTIGUA

41912 SPA ANTIGUA	41912 METRIC	43741 BRITISH STANDARD
1 Suction-Water Massage Pump 1	1x \varnothing 63 mm FS	1x \varnothing 2" FS
2 Suction-Water Massage Pump 2	1x \varnothing 63 mm FS	1x \varnothing 2" FS
3 Return-Water Massage Pump 1	1x \varnothing 63 mm FS	1x \varnothing 2" FS
4 Return-Water Massage Pump 2	1x \varnothing 63 mm FS	1x \varnothing 2" FS
5 Return-Air Massage	1x \varnothing 63 mm FS	1x \varnothing 2" FS
6 Suction/Return-Filtration Pump Bottom Spa	1x \varnothing 63 mm FS	1x \varnothing 2" FS
7 Return-Filtration Pump Inlets	2x \varnothing 63 mm FS	2x \varnothing 2" FS
8 Overflow Drains	6x \varnothing 75mm FS	6x \varnothing 2'5" FS
9 Light (Optional)	Optional	Optional

FS: Female Solvent Socket



*The distribution of the connections can be changed

NUMBER AND DISTRIBUTION OF JETS CAN CHANGE DEPENDING ON THE VERSION

DIMENSIONS IN MM.

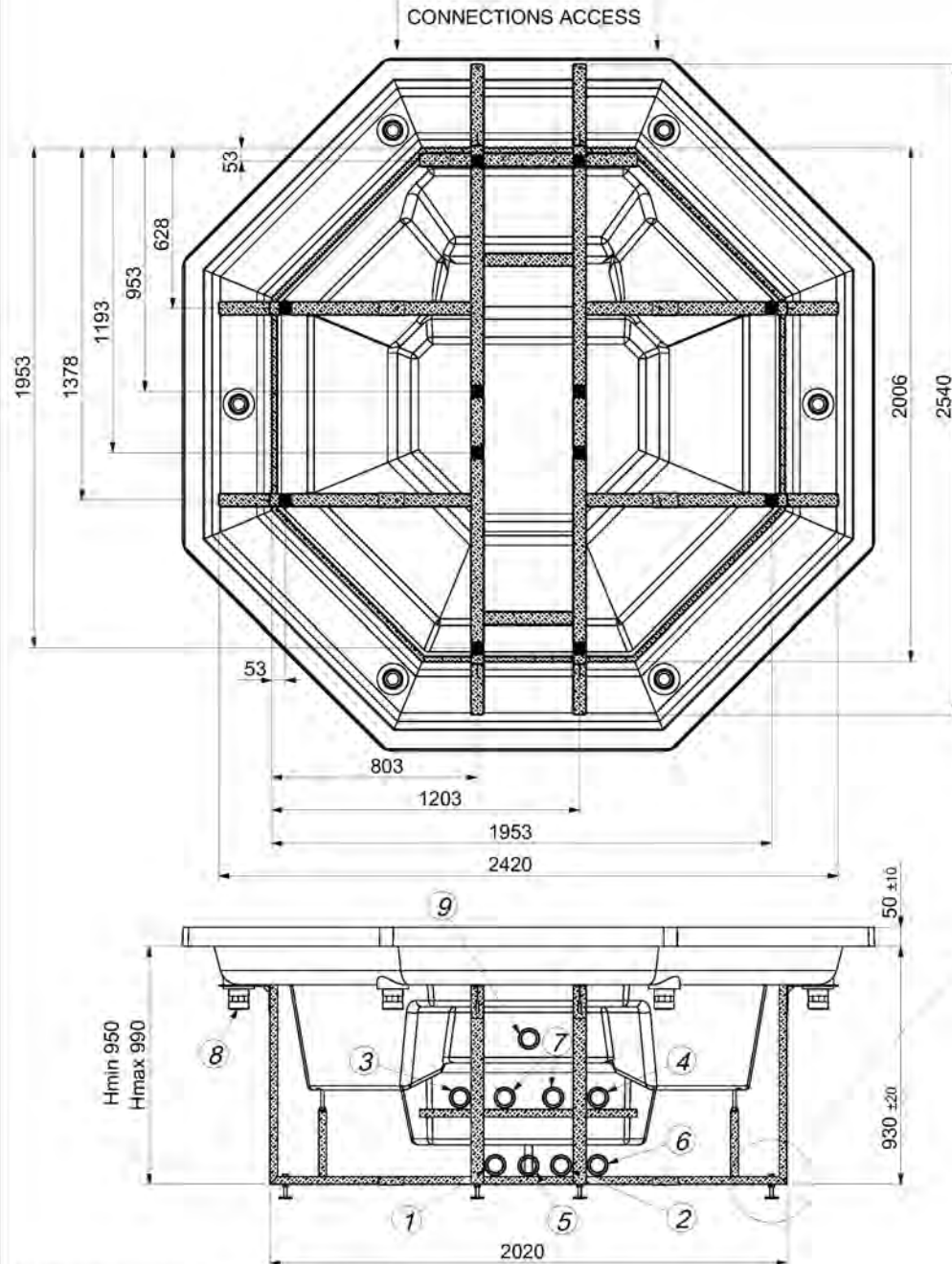
WE RESERVE THE RIGHT TO CHANGE ALL OR PART OF THE FEATURES OF THIS ARTICLE

Change No. Cambio Núm.	Date Fecha	Name Nombre	Modification Modificación
Remarks Observaciones			
Drawn Dibujado	Date Fecha	Name Nombre	Part Name Nombre
Checked Verificado	Date Fecha	Name Nombre	Part Number Número
Scale Escala	General Tolerance Tolerancia General		Material
Surface Coating Acabado Superficial		Article number Número Artículo	Rev No.
Color RAL		Drawing type Tipo de plano	Weight Peso (g)
Surface Hardness Shore A		Connections Detail	First Angle Projection

AQUA VIA
S.P.A.

Without express permission, keep the information confidential and use it only for the permitted purpose.

41912 SPA ANTIGUA



DIMENSIONS IN MM. General tolerancies ± 10 mm.

WE RESERVE THE RIGHT TO CHANGE ALL OR PART OF THIS ARTICLE FEATURES

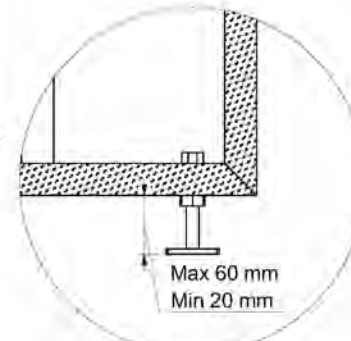
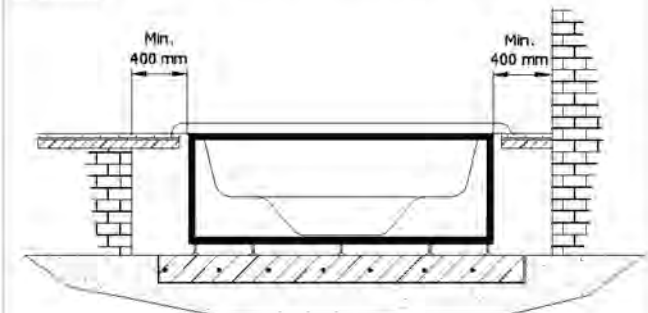
41912 SPA ANTIGUA	41912 METRIC	43741 BRITISH STANDARD
1 Suction-Water Massage Pump 1	1x ∅ 63 mm FS	1x ∅ 2" FS
2 Suction-Water Massage Pump 2	1x ∅ 63 mm FS	1x ∅ 2" FS
3 Return-Water Massage Pump 1	1x ∅ 63 mm FS	1x ∅ 2" FS
4 Return-Water Massage Pump 2	1x ∅ 63 mm FS	1x ∅ 2" FS
5 Return-Air Massage	1x ∅ 63 mm FS	1x ∅ 2" FS
6 Suction/Return-Filtration Pump Bottom Spa	1x ∅ 63 mm FS	1x ∅ 2" FS
7 Return-Filtration Pump Inlets	2x ∅ 63 mm FS	2x ∅ 2" FS
8 Overflow Drains	6x ∅ 75mm FS	6x ∅ 2.5" FS
9 Light (Optional)	Optional	Optional

FS: Female Solvent Socket

Minimum depth of the spa hole 970 mm.

WARNING

It is essential to keep a minimum clearance access of 400 mm all around.



DETAIL A
SCALE 1:5

Change No. Cambio Num.	Date Fecha	Name Nombre	Modification Modificación
Remarks Observaciones			
Drawn Dibujado	Date Fecha	Name Nombre	Part Name Nombre
Checked Verificado	Date Fecha	Name Nombre	Part Number Número
Scale Escala	General Tolerance Tolerancias Generales		Material
1:20	DIN 7168 ISO 2768g		Surface Coating Acabado Superficial
Article number Num. Artículo			Rev No.
41912 / 43741			00
Drawing type Tipo de plano		Weight Peso (g)	Surface Hardness Shore A
Installation			First Angle Projection

AQUA VIA

Don't use without permission. Keep this information confidential and use it only for the permitted purpose.