

HIGH QUALITY PVC-U VALVES

made in Austria



PERAQUA®

PROFESSIONAL WATER PRODUCTS

PVC-U VALVES

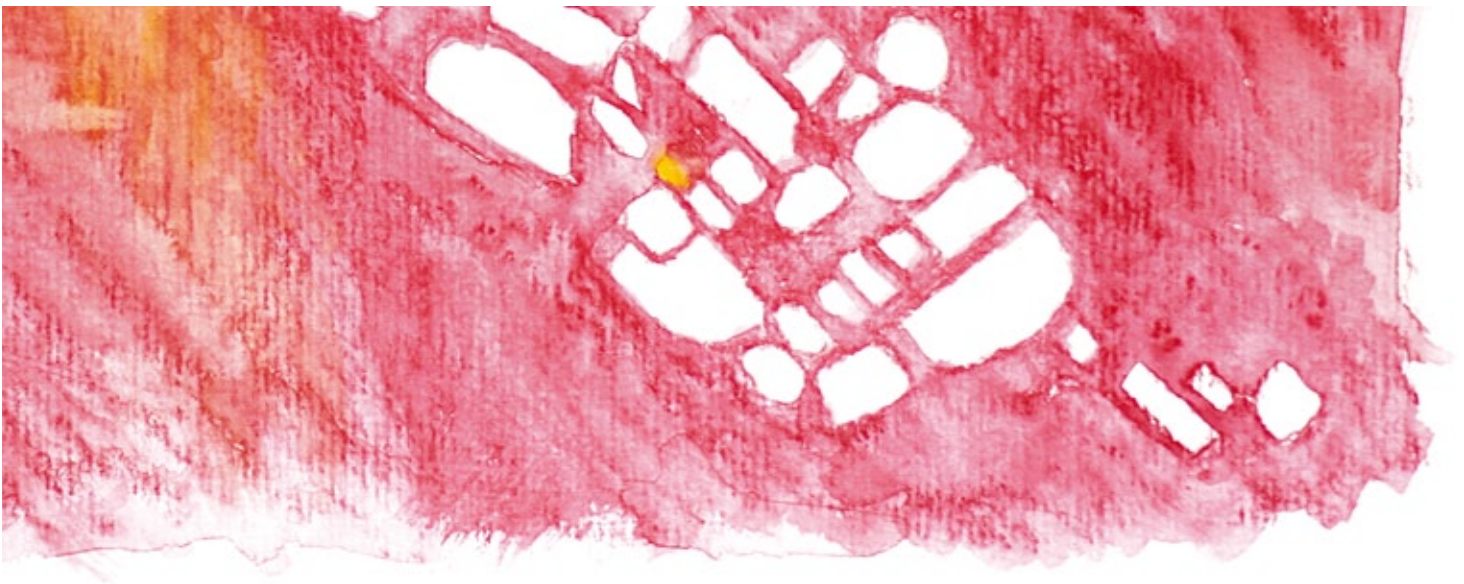
Environmentally friendly PVC fittings from Praher. Precision parts with above average durability, due to the use of high quality plastics that meet European health standards. Together a kind of building block system with exactly balanced tolerances for quick and easy installation under the most diverse conditions.

It was not a matter of course to manufacture precision tools for plastic materials ...

What started in a small garage is found today in the world's largest pools. This speaks for itself. Generally invisible to the consumer, it is still indispensable. Praher PVC-U valves as the technological market leader. Above average durability, UV resistance, outstandingly easy maintenance, double shaft sealing, double secured valve bodies and 100% function- and tightness tests according to DIN ISO. All popular valves types and sizes available.







2WAY BALL VALVE S5 & S6	6
2WAY BALL VALVE S4	7
SINGLE UNION 2WAY BALL VALVE S5	9
3WAY BALL VALVE S4	10
DIAPHRAGM VALVE T4	12
LABORATORY BALL VALVE S4	13
2 & 3 PORT INFINITY VALVE	14
KNIFE GATE VALVE	14
CONE CHECK- , FOOT- & AERATING VALVE S4	15
PVC-U CONE CHECK VALVE S6	16
LINE STRAINER S4	17
BUTTERFLY VALVE S4	18
BUTTERFLY VALVE K4	19
WAFER CHECK VALVE K4	20
WAFER CHECK VALVE S4.60 & S4.70	21
FLOW METER M123, M23	21
PVC PIPES, FLEX-HOSES, FITTINGS & SOLVENT CEMENT	22

2WAY BALL VALVE S5 & S6 *manual*

Operating temperature: max. 60 °C

Health regulations: the material is conform to the EG-VCM safety regulations

Characteristics:

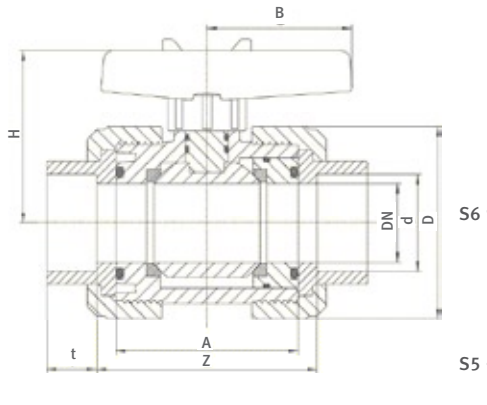
- optimal flow rate characteristics because of non-reduced alleyway
- high durability because of ball seating ring made of PTFE or PE
- low weight
- radial installation or removal
- double shaft sealing
- made of UV resistant, corrosion free, PVC-U material

Applications:

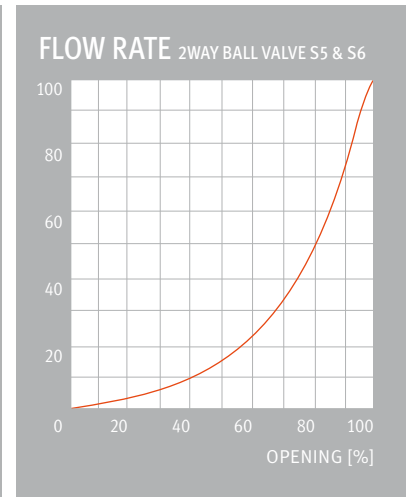
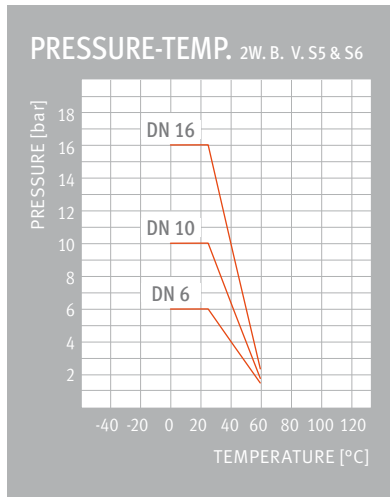
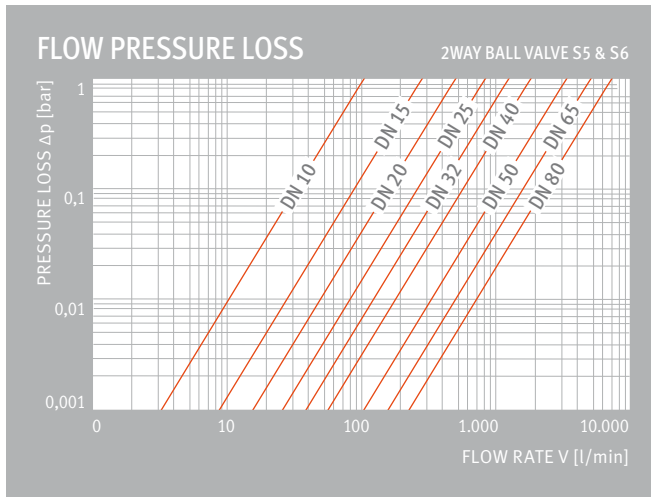
- private and public pools and water treatment industry
- swimming ponds and fish farming
- water irrigation and cooling towers
- trick fountains (wells, water falls, etc..)



Material	Seal	Dimension	bar	Connection type
PVC-U Code 50S5 Code 51S5	EPDM, FPM PE PTFE	DN10 / d16 3/8" - DN50 / d63 2"	16	solvent cement socket (ASTM, DIN, JIS) solvent spigot threaded socket (BSP, NPT) PE - fusion socket
Code 52S6 Code 50S5 Code 51S5	PE PTFE	DN65 / d75 2 1/2" - DN 80 / d90 3" DN80 / d110 4"	10 6	hose nozzle d32/39 flange connection. (ANSI, DIN, JIS)



MAIN DIMENSIONS											2WAY BALL VALVE S5 & S6	
d	DN	G	A	Z	t	D	H	B	PN	kg		
16	10	3/8"	44,5	49,5	16,5	55,5	47,0	42,5	16	0,14	S6	
20	15	1/2"	44,5	49,5	16,5	55,5	47,0	42,5	16	0,14	S6	
25	20	3/4"	50,0	56,0	19,5	62,0	53,0	55,0	16	0,22	S6	
32	25	1"	52,5	58,5	23,0	70,0	55,5	55,0	16	0,28	S6	
40	32	1 1/4"	61,0	67,5	26,5	84,0	76,0	65,0	16	0,52	S6	
50	40	1 1/2"	77,0	87,0	31,5	101,5	88,5	75,0	16	0,72	S6	
63	50	2"	87,0	99,0	38,5	115,3	95,0	75,0	16	1,05	S6	
75	65	2 1/2"	137,0	148,0	45,0	155,0	127,0	111,0	10	2,82	S5	
90	80	3"	163,0	183,0	55,5	188,0	160,0	133,0	10	5,39	S5	
110	80	4"	163,0	176,0	64	188,0	160,0	133,0	6	5,44	S5	



PVC-U VALVES


Further detailed technical information available on request

2WAY BALL VALVE S4 *manual*

Operating temperature: max. 60 °C

Health regulations: the material is conform to the EG-VCM safety regulations

Characteristics

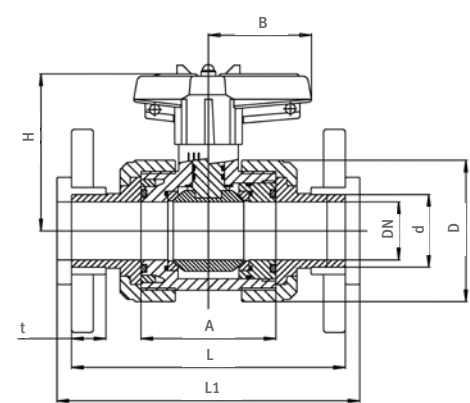
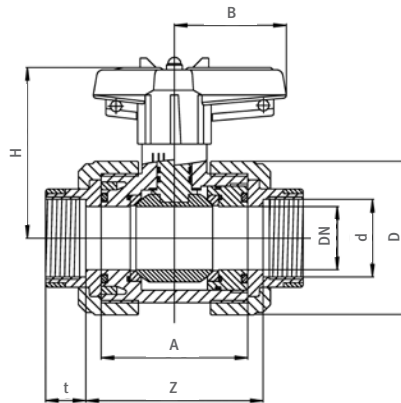
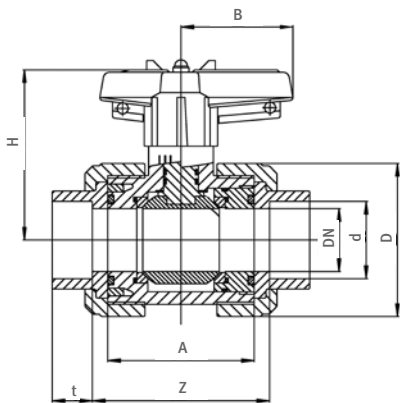
- safety handle system incl. locking function
- radial installation or removal
- circulator independent of direction
- full sectional area of flow (nominal bore)
- floating ball
- double side blocked valve body
- DIN / ISO body length
- easy automatisisation via S4 valve brackets 

Applications:

- private and public pools and water treatment industry
- swimming ponds and fish farming
- water irrigation and cooling towers
- trick fountains (wells, water falls, etc..)
- sewerage treatment systems
- desalination plants
- chemical industry



Material	Seal	Dimension	bar	Connection type
PVC-U Code 40	EPDM, FPM PTFE	DN10 / d16 3/8" – DN65 / d75 2 1/2"	16	solvent cement socket (ASTM, DIN, JIS)
		DN80 / d90 3"	10	solvent spigot
		DN80 / d110 4"	6	threaded socket (BSP, NPT) PE - fusion socket PE - fusion spigot flange connection (ANSI, DIN, JIS)



MAIN DIMENSIONS

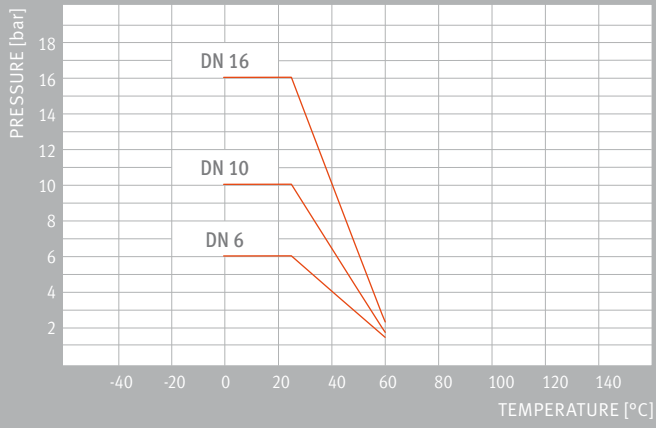
2WAY BALL VALVE S4

d	DN	G	L	L1	A	Z	t	D	H	B	PN	kg
16	10	3/8"	114,0	120,0	62,0	67,5	16,5	53,0	72,0	40,0	16	0,22
20	15	1/2"	124,0	130,0	62,0	67,5	16,5	53,0	72,0	40,0	16	0,22
25	20	3/4"	144,0	150,0	70,0	76,5	19,5	63,0	78,5	51,5	16	0,33
32	25	1"	154,0	160,0	74,0	81,0	22,5	70,0	81,5	51,5	16	0,41
40	32	1 1/4"	174,0	180,0	84,0	90,0	26,5	85,0	100,0	64,0	16	0,65
50	40	1 1/2"	194,0	200,0	95,0	104,0	31,5	101,0	107,5	73,0	16	1,03
63	50	2"	224,0	230,0	109,0	121,0	38,5	121,5	116,5	85,0	16	1,55
75	65	2 1/2"	284,0	290,0	137,0	148,0	45,0	155,0	144,0	110,0	16	3,24
90	80	3"	300,0	310,0	163,0	183,0	55,5	188,0	163,0	132,0	10	5,44
110	80	4"	340,0	350,0	163,0	176,0	64,0	188,0	163,0	132,0	6	5,44

→ See next page for pressure-temperature, torque, flow rate & flow pressure loss diagrams.

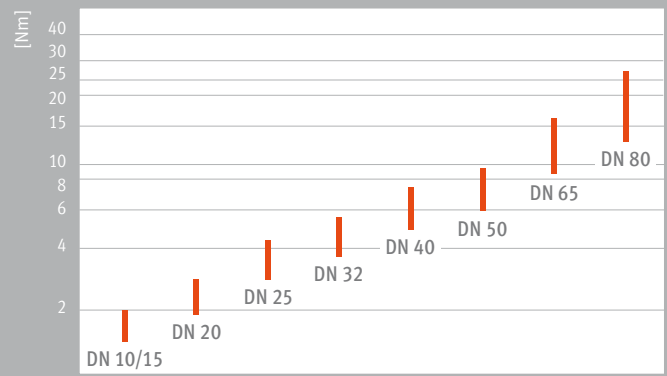
PRESSURE-TEMP.

WAY BALL VALVE S4



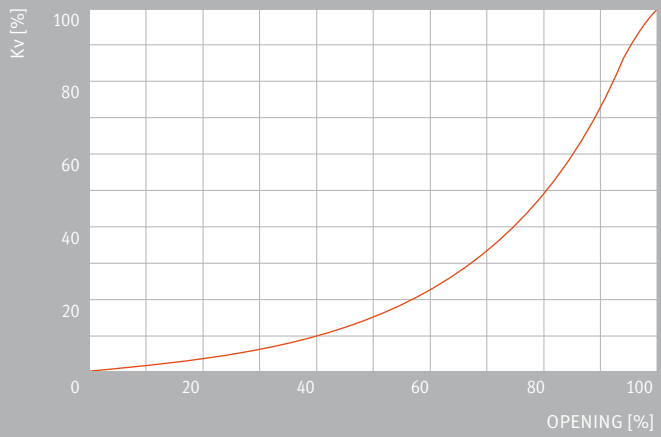
TORQUE

2WAY BALL VALVE S4



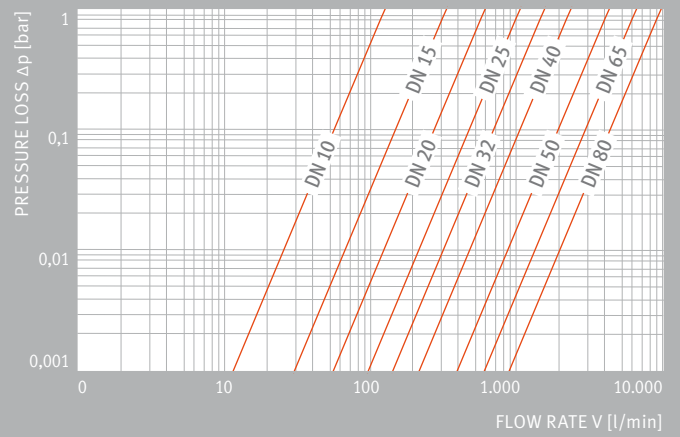
FLOW CHARACTERISTIC

2WAY BALL VALVE S4



FLOW PRESSURE LOSS

2WAY BALL VALVE S4



PVC-U VALVES

Further detailed technical information available on request

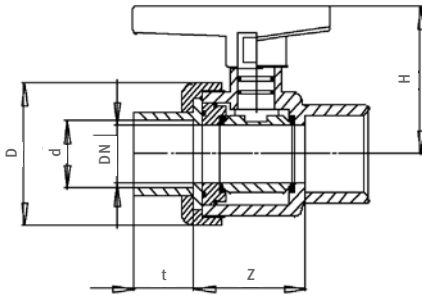
SINGLE UNION 2WAY BALL VALVE S5 *manual*

Operating temperature: max. 60 °C

Health regulations: the material is conform to the EG-VCM safety regulations

Characteristics:

- optimal flow rate characteristics because of non-reduced alleyway
- high durability because of ball seating ring made of PE
- low weight
- double shaft sealing
- made of UV resistant, corrosion free, PVC-U material
- colour: grey, white upon request
- double side blocked valve body



Material	Seal	Dimension	bar	Connection type
PVC-U Code 70	EPDM, FPM PE	DN15 / d20 ½" – DN50 / d63 2"	10	solvent cement socket (ASTM, DIN) threaded socket (BSP, NPT)

MAIN DIMENSIONS							2WAY BALL VALVE S5
d	DN	G	Z	t	D	H	
20	15	½"	76,5	16,5	52	48,5	
25	20	¾"	73,5	19,5	64	55	
32	25	1"	80,5	22,5	72,0	57,5	
50	40	1 ½"	75,5	31,5	98	86,5	
63	50	2"	93,5	38,5	112,5	98	

This special type of our single union ball valve is used mainly as a safety valve for steel wall pools (draining) or in combination with the 1 ½" BSP male thread at the Ocean Skimmer DE LUXE or PT as a shut off valve.

BSP 1 ½" male thread / hose connection d32/38 PE

DN 25: EPDM Nr. 75546
DN 40: EPDM Nr. 75544



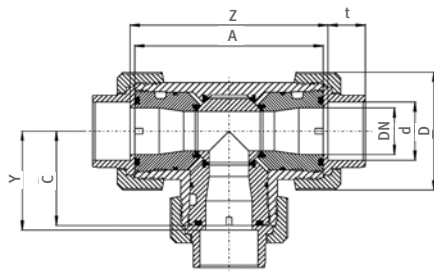
3WAY BALL VALVE S4 *manual*

Operating temperature: max. 60 °C

Health regulations: the material is conform to the EG-VCM safety regulations

Characteristics:

- safety handle system incl. locking function
- radial installation or removal
- circulatory independent of direction
- full sectional area of flow (nominal bore)
- floating ball
- 4 PTFE ball seating rings
- L or T ball type deliverable
- easy automatization via S4 valve brackets



MAIN DIMENSIONS

3WAY BALL VALVE S4

d	DN	G	L	L1	A	Z	t	D	H	B	Y	C	PN
16	10	3/8"	152,0	158,0	100,0	105,5	16,5	53,0	72,0	40,0	52,8	50,0	16
20	15	1/2"	162,0	168,0	100,0	105,5	16,5	53,0	72,0	40,0	52,8	50,0	16
25	20	3/4"	x	x	120,0	126,0	20,0	70,0	81,5	51,5	63,0	60,0	16
32	25	1"	200,0	206,0	120,0	127,0	22,5	70,0	81,5	51,5	63,5	60,0	16
40	32	1 1/4"	x	x	162,0	169,0	27,5	101,0	107,5	73,0	84,5	81,0	16
50	40	1 1/2"	261,0	267,0	162,0	171,0	31,5	101,0	107,5	73,0	85,5	81,0	16
63	50	2"	296,0	302,0	181,0	193,0	38,5	121,5	116,5	85,0	96,5	90,5	50

Material	Seal	Dimension	bar	Connection type
PVC-U Code 44	EPDM, FPM PTFE	DN10 / d16 3/8" – DN50 / d63 2"	16	solvent cement socket (ASTM, DIN, JIS) solvent spigot threaded socket (BSP, NPT) PE - fusion socket PE - fusion spigot flange connection (ANSI, DIN, JIS)

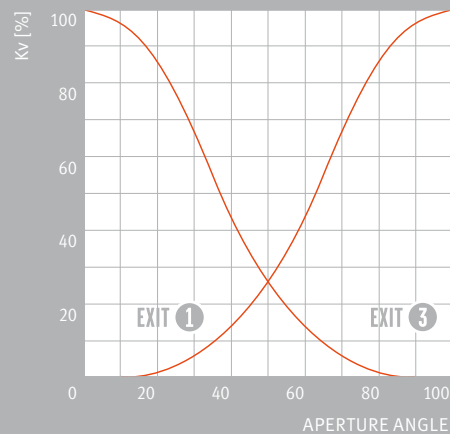
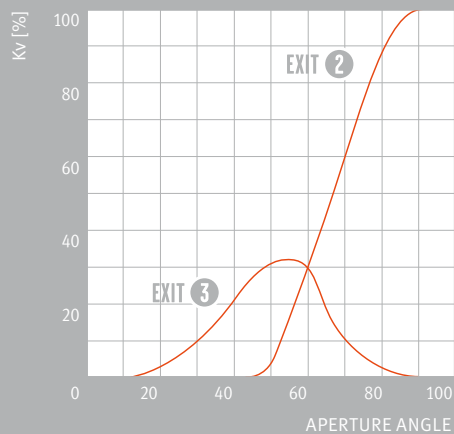
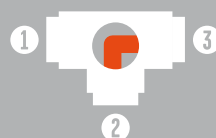
FLOW CHARACTERISTIC

3WAY BALL VALVE S4

APERTURE ANGLE 100%



APERTURE ANGLE 0%



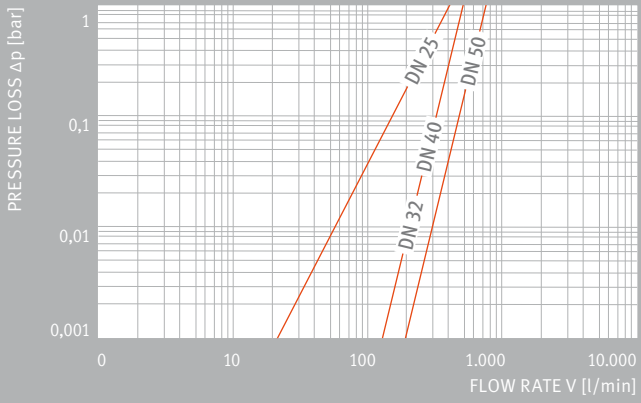
PVC-U VALVES

Further detailed technical information available on request

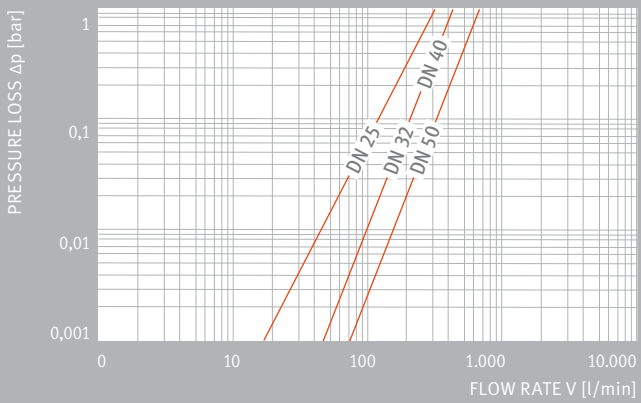
FLOW PRESSURE LOSS

3WAY BALL VALVE S4

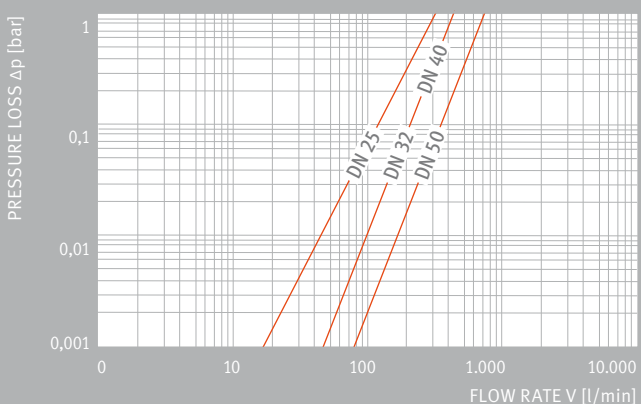
T-BALL 



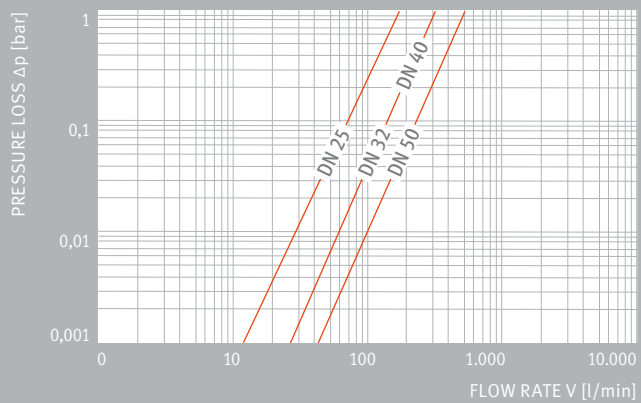
T-BALL 



L-BALL 



T-BALL 



DIAPHRAGM VALVE T4 *manual*

Characteristics:

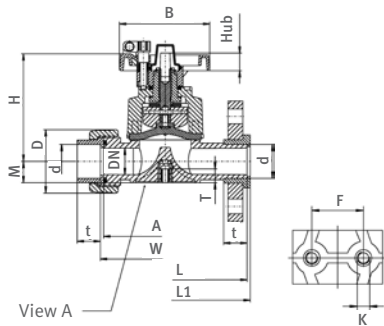
- safety hand wheel, locking device
- corrosion proof
- high durability at maintenance free operation
- applicable for aggressive and dirty fluids
- radial installation or removal
- easy changing of the membrane
- optic position indication
- integrated valve support and bipartite valve top for d75 – d140

Applications:

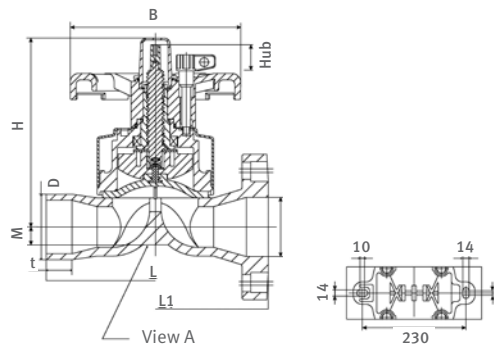
- chemical industry
- desalination and water treatment industry
- sewerage treatment industry
- pool and fountain industry



DN15-DN50



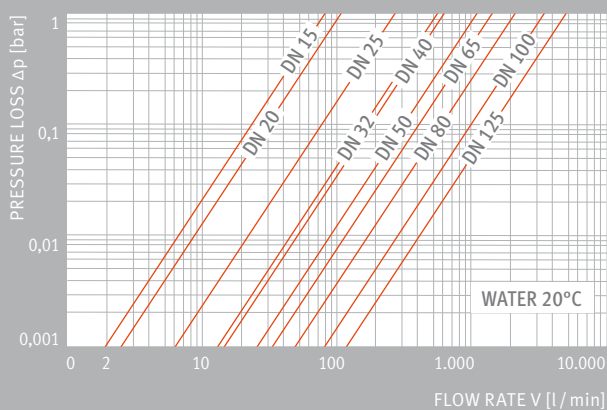
DN65-DN125



Material	Seal	Dimension	bar	Connection type
PVC-U Code 80	EPDM, FPM, PTFE coated	DN15 / d20 ½" – DN125 / d140 5"	10	solvent cement socket (ASTM, DIN, JIS) solvent spigot threaded socket (BSP, NPT) PE - fusion socket flange connection (ANSI, DIN, JIS)

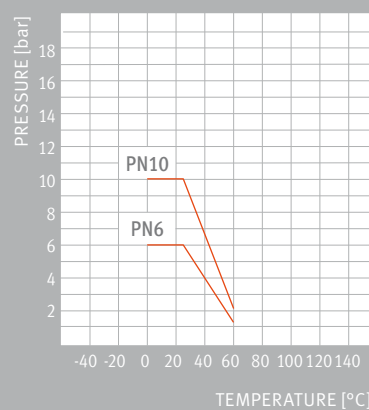
FLOW PRESSURE LOSS

DIAPHRAGM VALVE T4



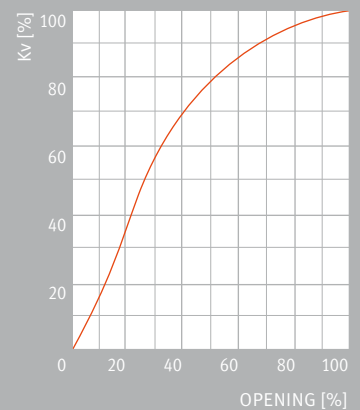
PRESSURE TEMP.

DIAPHR. VALVE T4



FLOW CHAR.

DIAPHR. VALVE T4



PVC-U VALVES

Further detailed technical information available on request

MAIN DIMENSIONS										DIAPHRAGM VALVE T4
d	20	25	32	40	50	63	75	90	110	140
DN	15	20	25	32	40	50	65	80	80	125
d	1/2"	3/4"	1"	1 1/4"	1 1/2"	2"	2 1/2"	3"	4"	5"
M	17,0	17,0	21,0	33,0	33,0	40,3	25,0	25,0	25,0	25,0
H	100,0	100,0	107,0	144,0	144,0	170,0	260,0	260,0	330,0	330,0
B	86,0	86,0	86,0	136,0	136,0	136,0	234,0	234,0	234,0	234,0
D	43,0	53,0	60,0	74,0	83,0	103,0	x	x	x	x
F	25,0	25,0	25,0	45,0	45,0	45,0	x	x	x	x
Hub	9,0	9,0	11,0	22,0	22,0	28,0	35,0	35,0	45,0	45,0
K	M6	M6	M6	M8	M8	M8	x	x	x	x
L	124,0	144,0	154,0	174,0	194,0	22,4	284,0	x	x	x
L1	130,0	150,0	160,0	180,0	200,0	230,0	300,0	31,0	350,0	400,0
T	12,0	12,0	12,0	15,0	15,0	15,0	x	x	x	x
Z	96,0	114,0	122,0	142,0	160,0	190,0	X	x	x	x
A	90,0	108,0	116,0	136,0	154,0	184,0	x	x	x	x
t	16,0	19,0	22,0	26,0	31,0	38,0	44,0	54,5	x	x
PN	10	10	10	10	10	10	10	10	10	6

LABORATORY BALL VALVE S4 *with connection set*

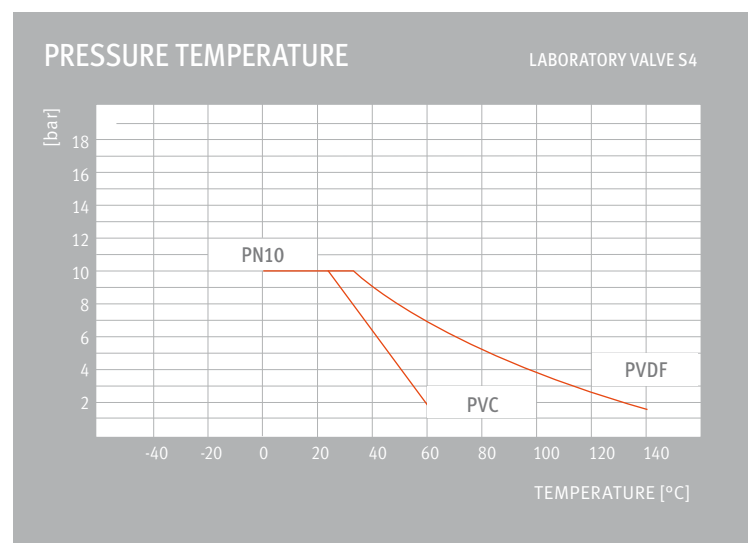
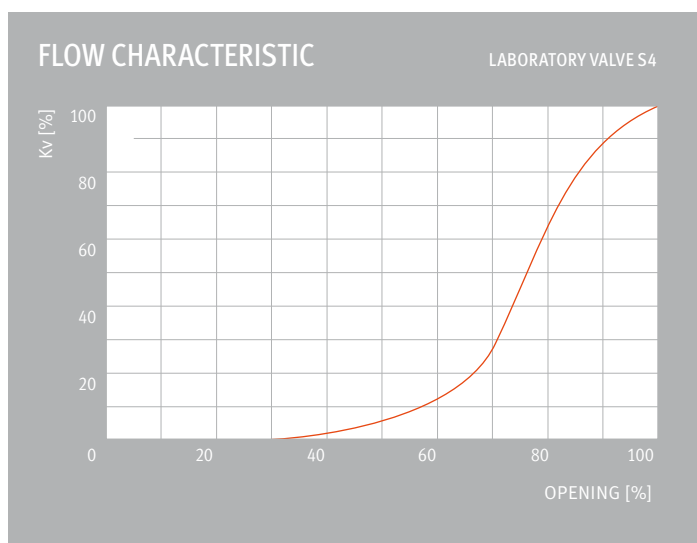
Operating temperature: max. 60 °C

Characteristics

- locking- and dosing ring to secure valve against unintended opening or for fix setting of the ball opening angle.
- valve can be fully opened at any time by removing the locking- and dosing ring
- compact design
- low weight
- corrosion proof
- best suitable for dosing systems, irrigation, drain valve for filter



Material	Seal	Dimension	bar	Connection type
PVC-U Code 73	EPDM, FPM	DN6 / d10 R 1/4", R 3/8"	10	thread (BSP, NPT)



2 & 3 PORT INFINITY VALVE *with safety handle system*

Characteristics:

- locking handle device
- optical position indication
- long lasting seals
- easy maintenance
- excellent regulation function
- permanently lubricated seals



2way solvent cement spigot



3way solvent cement spigot



3way solvent cement socket radial installation or removal

Material	Seal	Dimension	bar	Connection type
PVC-U	EPDM PTFE coated	DN40 / d50 1 1/2" – DN50 / d63 2"	3	solvent cement socket (ASTM, DIN) solvent cement socket (ASTM, DIN) hose nozzle D32/39

KNIFE GATE VALVE *manual*

Inexpensive valve for industrial, agricultural and commercial markets, ideal for quick shut-off in low-pressure areas.

Applications:

- swimming pool and whirlpool applications / draining- or safety valve
- wastewater industry
- agriculture & irrigation
- rank drain valves
- fish farming, whirlpool / jacuzzi industry

Colours: grey, white, special colours and connection types available on request

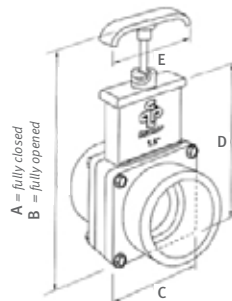
Material: PVC-U construction, TPE lip seals EPDM O-rings, shaft made of stainless steel (303/A4), handle made of GFK Polypropylene

Safety clip:

- prevents unintentional closing of the knife gate valve
- optional for 1" & 2"
- standard for 3" & 4"

Characteristics:

- double O-ring shaft seals (3" & 4") exchangeable
- safety close system
- full flow
- 1/4" x 20 male thread on shaft for easy handle extension (3" & 4")
- low weight
- available with metric or ASTM connections
- quick opening/closing
- simple and maintenance free operation
- possibility for pneumatic actuation (3" & 4")
- pressure stage PN3,5 (3" & 4" PN 2,5)



MAIN DIMENSIONS

	1 1/2"	2"	2,5"	3-4"
A	146,5	168,5	208,0	390,0
B	187,0	225,0	282,0	497,0
C	73,0	85,0	104,0	180,0
D	126,0	147,0	181,0	300,0
E	70,0	70,0	94,0	120,0

Material	Seal	Dimension	bar	Connection type
PVC-U Code 71	EPDM	DN25 / d32 1" – DN 65 / d75 2 1/2" DN80 / d90 3" – DN 100 / d110 4"	3,5 2,5	solvent cement socket (ASTM, DIN) female thread BSP, NPT hose nozzle D32/38

PVC-U VALVES

Further detailed technical information available on request

CONE CHECK VALVE*, FOOT VALVE** AND AERATING VALVE*** S4

Operating pressure:

- cone check valve 0,06 bar
- foot valve 0,025 bar

Operating temperature: max. 60 °C

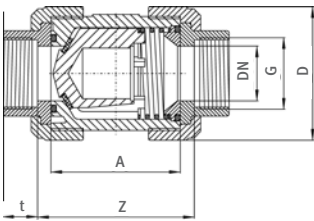
Spring (cone check valve): cone check valve: SS316, special type: PTFE (Teflon) coated

Health regulations: the material is conform to the EG-VCM safety regulations.

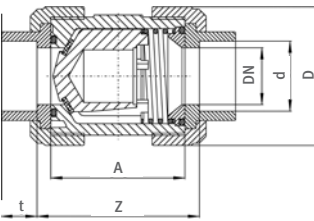
Strainer (foot valve) material: PP

Characteristics:

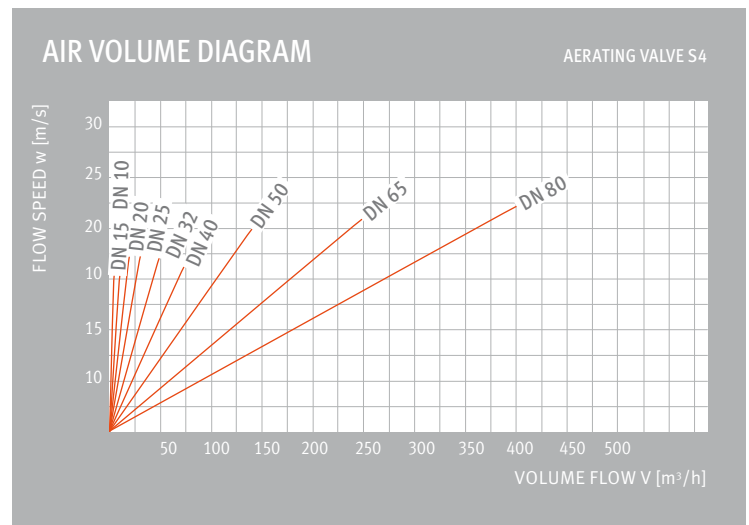
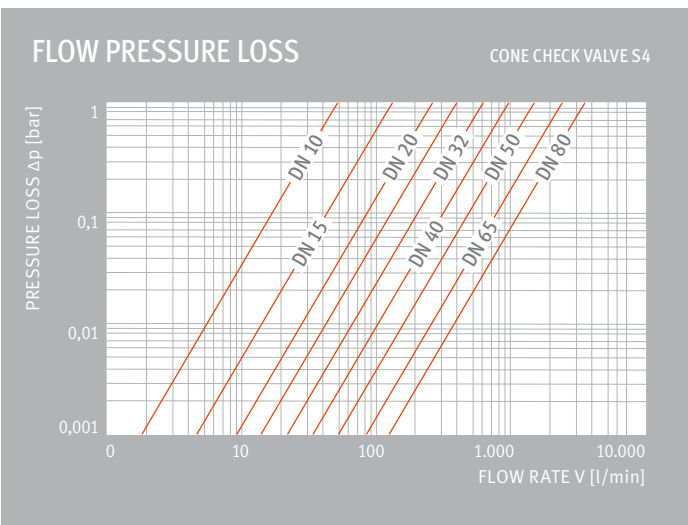
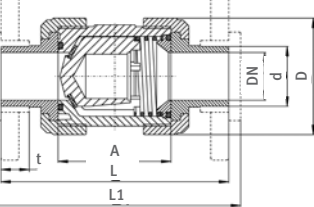
- corrosion proof
- high durability at maintenance-free operation-compact design
- service friendliness
- radial installation or removal
- quick and accurate opening and closing
- quiet operation



Material	Seal	Dimension	bar	Connection type
PVC-U Code 41*	EPDM, FPM, PTFE	DN10 / d16 3/8" - DN65 / d75 2 1/2"	16	solvent cement socket (ASTM, DIN, JIS)
Code 42**		DN80 / d90 3"	10	solvent spigot
Code 43***		DN80 / d110 4"	6	threaded socket (BSP, NPT) PE - fusion socket PE - fusion spigot flange connection (ANSI, DIN, JIS)



MAIN DIMENSIONS										CONE CHECK-, FOOT- & AERATING VALVE S4
d	DD	G	L	L1	A	Z	t	D	PN	
16	10	3/8"	114,0	120,0	62,0	67,5	16,5	53,0	16	
20	15	1/2"	124,0	130,0	62,0	67,5	16,5	53,0	16	
25	20	3/4"	144,0	150,0	70,0	76,5	19,5	63,0	16	
32	25	1"	154,0	160,0	74,0	81,0	22,5	70,0	16	
40	32	1 1/4"	174,0	180,0	84,0	90,0	26,5	85,0	16	
50	40	1 1/2"	194,0	200,0	95,0	104,0	31,5	101,0	16	
63	50	2"	224,0	230,0	109,0	121,0	38,5	121,5	16	
75	65	2 1/2"	284,0	290,0	137,0	148,0	45,0	155,0	16	
90	80	3"	300,0	310,0	163,0	183,0	55,5	188,0	10	
110	80	4"	340,0	350,0	163,0	176,0	64,0	188,0	6	



PVC-U CONE CHECK VALVE S6

Operating pressure: 0,03 bar

Operating temperature: max. 60 °C

Characteristics:

- radial installation or removal
- optimal flow characteristics
- service friendliness
- also available with transparent housing, (Fig. 2)
- deliverable including drain valve 3/4" (Fig. 3)
- low opening pressure
- low pressure loss
- same body size as S6 ball valve
- spring material: SS16

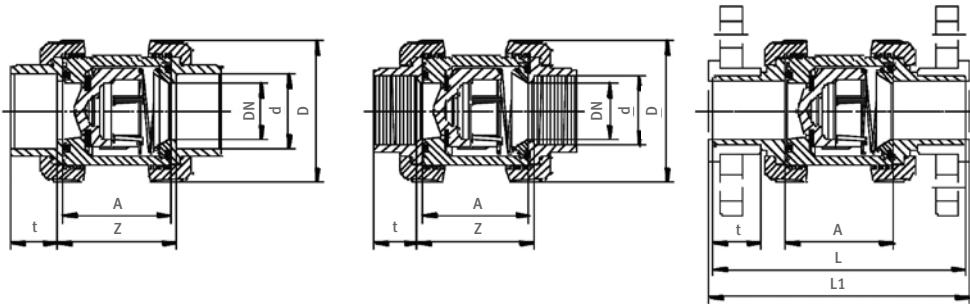


Fig. 2



Fig. 3

Material	Seal	Dimension	bar	Connection type
PVC-U Code 53	EPDM, FPM	DN32 / d40 1 1/4" DN40 / d50 1 1/2" DN50 / d63 2"	16	solvent cement socket (ASTM, DIN, JIS) solvent spigot threaded socket (BSP, NPT) PE-fusion socket PE-fusion spigot hose nozzle D32/38



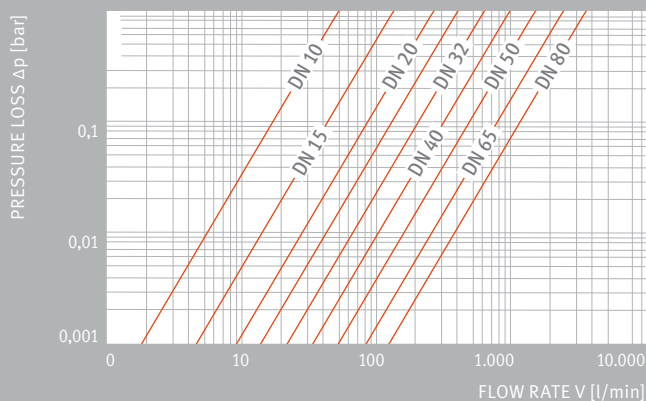
MAIN DIMENSIONS

CONE CHECK VALVE S6

d	DN	G	L	L1	A	Z	t	D	PN
40	32	1 1/4"	167,0	173,0	77,0	84,0	26,5	101,5	16
50	40	1 1/2"	176,0	182,0	77,0	87,0	31,5	101,5	16
63	50	2"	202,0	208,0	87,0	99,0	38,5	115,5	16

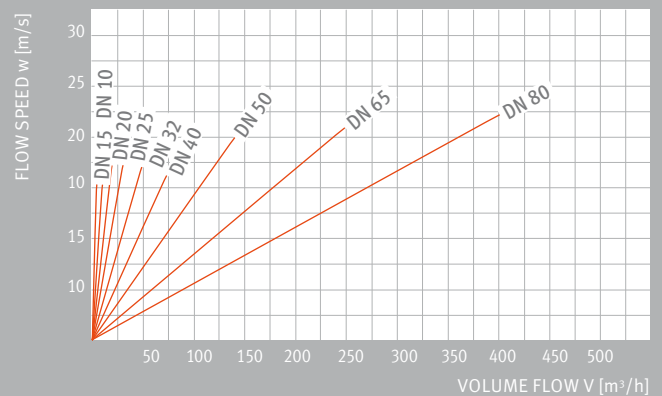
FLOW PRESSURE LOSS

CONE CHECK VALVE S6



AIR VOLUME DIAGRAM

CONE CHECK VALVE S6



PVC-U VALVES

Further detailed technical information available on request

LINE STRAINER S4 *with plastic or sieve insert*

Operating temperature: max. 60 °C

Sieve pipe stainless steel SS304: 0,5 mm, 0,75 mm, 1 mm deliverable on request

Plastic insert: 1,8 mm (1800 micron)

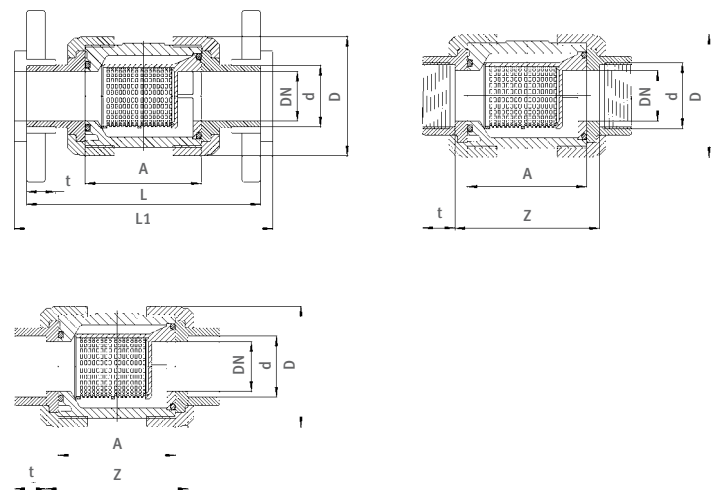
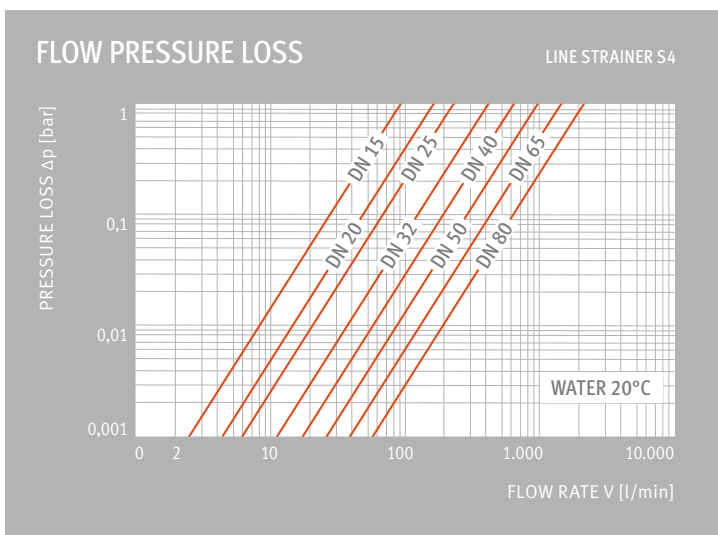
Characteristics:

- radial installation or removal
- transparent body
- optimal flow characteristics
- service friendliness



Material	Seal	Dimension	bar	Connection type
PVC-U Code 86	EPDM, FPM	DN10 / d16 3/8" – DN65 / d75 2 1/2" DN80 / d90 3" DN80 / d110 4"	16 10 6	solvent cement socket (ASTM, DIN, JIS) solvent spigot threaded socket (BSP, NPT)

MAIN DIMENSIONS										LINE STRAINER S4
d	DD	G	L	L1	A	Z	t	D	PN	
16	10	3/8"	114,0	120,0	62,0	67,5	16,5	53,0	16	
20	15	1/2"	124,0	130,0	62,0	67,5	16,5	53,0	16	
25	20	3/4"	144,0	150,0	70,0	76,5	19,5	63,0	16	
32	25	1"	154,0	160,0	74,0	81,0	22,5	70,0	16	
40	32	1 1/4"	174,0	180,0	84,0	90,0	26,5	85,0	16	
50	40	1 1/2"	194,0	200,0	95,0	104,0	31,5	101,0	16	
63	50	2"	224,0	230,0	109,0	121,0	38,5	121,5	16	
75	65	2 1/2"	284,0	290,0	137,0	148,0	45,0	155,0	16	
90	80	3"	300,0	310,0	163,0	183,0	55,5	188,0	10	
110	80	4"	340,0	350,0	163,0	176,0	64,0	188,0	6	



BUTTERFLY VALVE S4 *manually operated*

General: Sealing material EPDM or FPM

Body material: PVC-U

Dimensions: DN 80/d 90 3" – DN 200/d225-8"

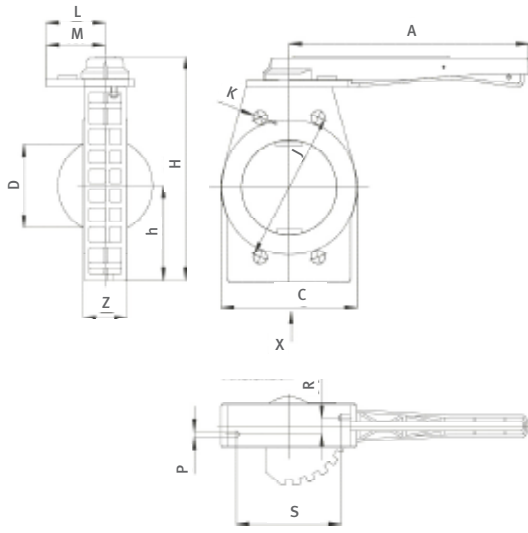
Operating pressure:

- DN 80/3" – DN 125/5" 10 bar
- DN 150/6" – DN 200/8" 6 bar

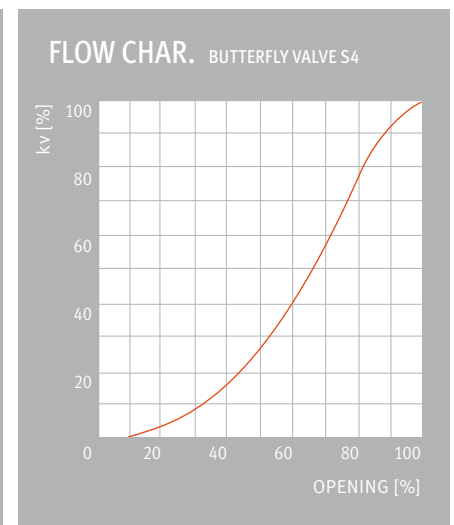
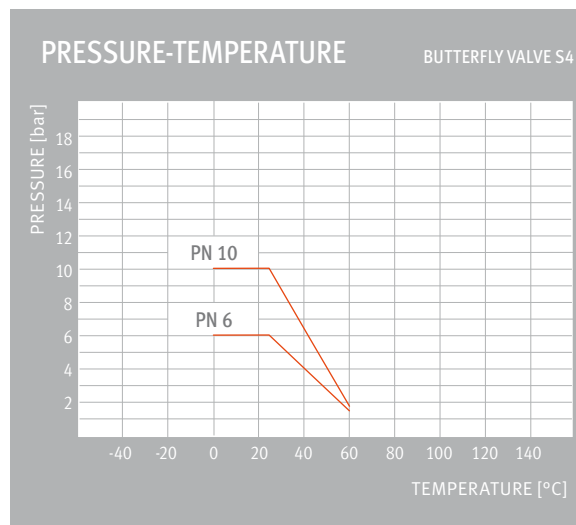
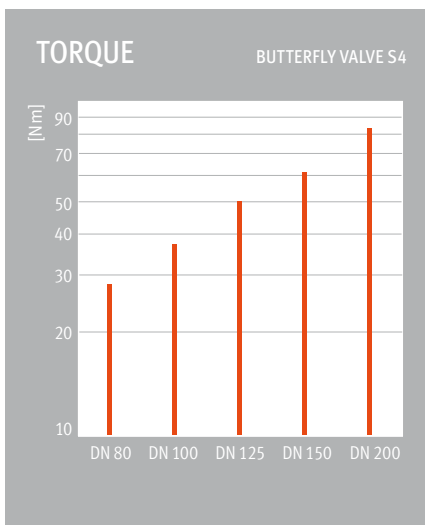
Connections: Flange (ANSI, ASA, DIN, JIS)

Characteristics:

- safety handle system
- radial installation or removal
- circulatory independent of direction
- full sectional area of flow (nominal bore)
- PPGFK locking plate
- integrated valve support
- reinforced disk PPGFK
- stainless steel shaft SS304



MAIN DIMENSIONS		BUTTERFLY VALVE S4				
d		90	110	140	160	225
DN		80	100	125	150	200
G		3"	4"	5"	6"	8"
A		270,0	270,0	270,0	380,0	380,0
D		74,5	91,5	116,5	134,0	200,5
C		133,0	155,0	190,0	216,0	274,0
H		259,5	289,0	324,0	353,0	425,0
h		105,0	120,0	130,0	150,0	180,0
J		152,5–160,0	180,0–190,5	210,0–216,0	240,0	295,0–298,0
K		19,0	19,0	22,0	22,0	22,0
L		113,0	113,0	113,0	141,0	141,0
M		77,5	77,5	77,5	94,0	94,0
Z		49,0	56,0	64,0	70,0	71,0
P		9,0	11,0	11,0	11,0	11,0
R		10,0	10,0	10,0	16,0	22,0
S		89,0	89,0	131,0	166,0	166,0
PN		10	10	10	6	6



PVC-U VALVES

Further detailed technical information available on request

BUTTERFLY VALVE K4

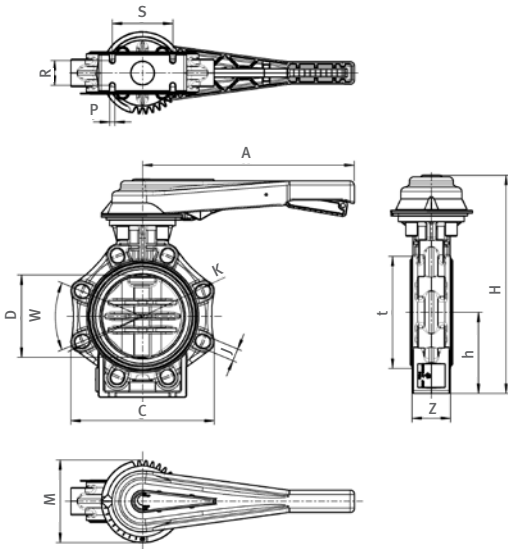
Operating temperature: max. 60 °C

Characteristics:

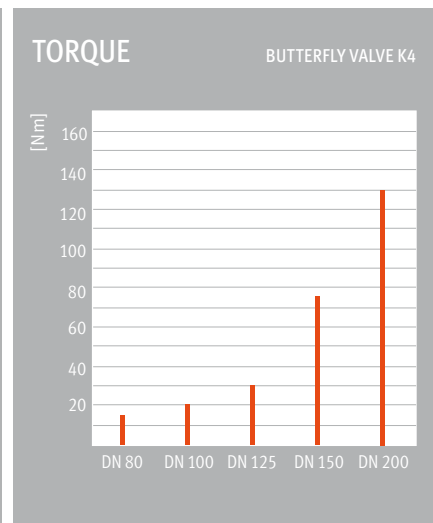
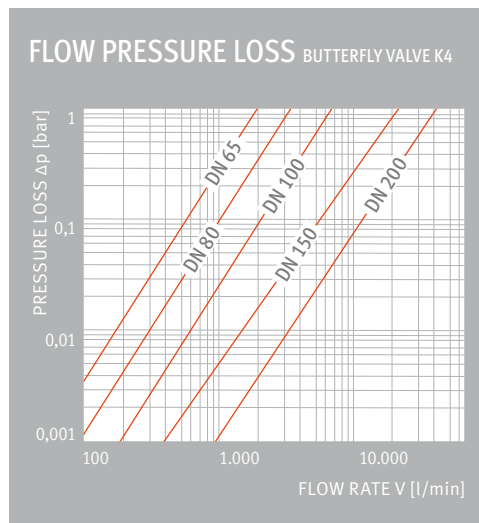
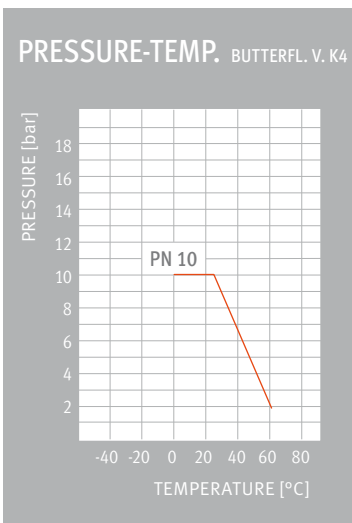
- safety handle system
- radial installation or removal
- circulatory independent of direction
- full sectional area of flow (nominal bore)
- PP-GF locking plate with 10 locks
- integrated valve support
- stainless steel shaft SS304 (not in touch with liquide)
- full line gasket: the valve housing is not wetted by medium
- double O-ring seals on valve shaft
- handle lever is equipped with an interchangeable identification plate (available in various colours)
- available with gear wheel



Material	Seal	Dimension	bar	Connection type
PVC-U Code 47	EPDM, FPM	DN65 / d75 2 1/2" - DN 200 / d225 8"	10	flange connection (DIN, JIS, ANSI)



MAIN DIMENSIONS BUTTERFLY VALVE K4						
DN		65	80	100	150	200
d	mm	75	90	110	160	225
G		2 1/2"	3"	4"	6"	8"
W	°	90	45	45	45	45
J	mm	19	19	19	23	23
K	mm	127-145	146-160	175-190,5	234,5-241,3	290-298,5
D	mm	65	80	100	150	200
C	mm	133	176	206	261	314
Z	mm	46	49	56	70	71
S	mm	55	70	85	110	145
R	mm	25	30	35	45	40
P	mm	7	9	9	9	9
h	mm	100	100	115	147,5	175
H	mm	285	292	322	396	458
E	mm	98	116	146	196	251
A	mm	230	230	300	386	386
M	mm	114	114	114	150	150
PN	mm	10	10	10	10	10



TORQUE

DN	Nm
65	15
80	18
100	20
125	35
150	40
200	55

WAFER CHECK VALVE K4

Operating temperature: max. 60 °C

Characteristics:

- simple and robust design
- maintenance free
- valve disc position indication
- available with or without position indication pin
- very low pressure loss because of big aperture angle of the disc 83°
- full disc opening also in PP and PE piping systems guaranteed
- models with spring package (2 springs PN10, big spring PN 7 and small spring PN3) allows adaptation of the wafer check valve to the pressure range within the system
- simple installation between flanges through attached eyelets (DIN; ANSI; JIS) and frontal O-rings.
- no more discharge help required
- up to 50% higher flow rates compared to type S460, S470
- minimal pressure loss
- higher operating pressures

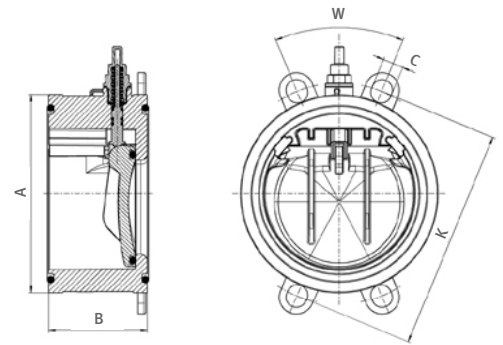


Material	Seal	Dimension	bar	Connection type
PVC-U Code 46	EPDM, FPM	DN65 / d75 2 1/2" – DN 300 / d315 12"	10	flange connection (DIN, JIS, ANSI)

MAIN DIMENSIONS

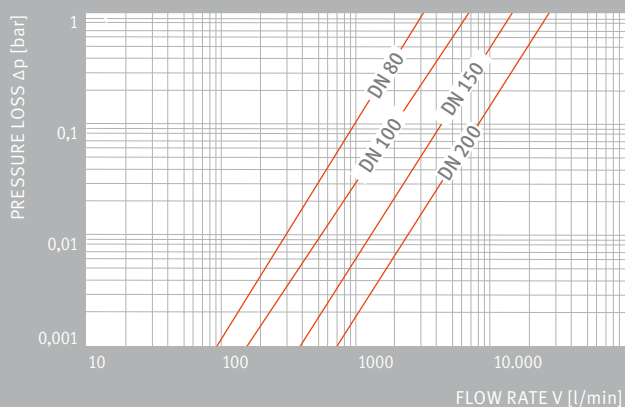
WAFER CHECK VALVE K4

DN	A	B	C	K	W	flange option
65	115	63	20	139–145	90	
80	128	71	20	150–160	45	
100	155	80	20	175–191	45	BS
150	212	106	24	134–242	45	BS
200	264	140	24	290–299	45	BS
250	325	140	27	350–362	30	BS
300	372	181	27	400–432	30	BS



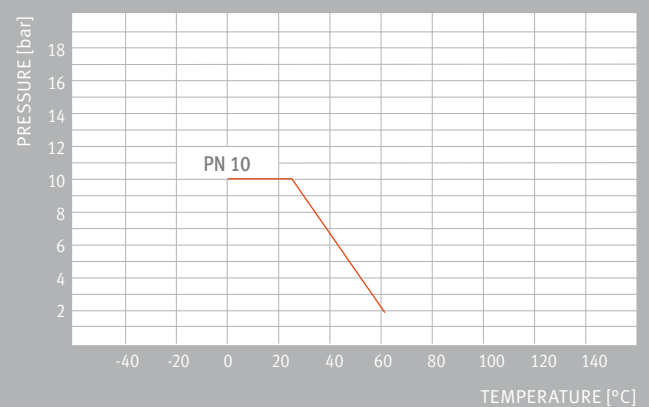
FLOW PRESSURE LOSS

WAFER CHECK VALVE K4



FLOW PRESSURE LOSS

WAFER CHECK VALVE K4



PVC-U VALVES

Further detailed technical information available on request

WAFER CHECK VALVE

S4.60 *(without spring)* S4.70 *(with spring)*

Operating temperature: max. 60 °C

Characteristics:

- simple and robust design
- installation between DIN loose flanges PN10
- supporting ring for an easier mounting of the check valve
- maintenance free
- no direct installation on a pump flange or succeeding elbow
- prior and after the disc a damping distance of 5 – 10X DN has to be kept
- for pulsating flows do not use valve without spring.



Material	Seal	Dimension	bar	Connection type
PVC-U Code 46	EPDM, FPM	DN32 / d40 1 ¼" – DN 150 / d160 6" DN200 / d225 8" – DN500 / d560 20"	10 6	WSt 1.4401 (V4A) od. WSt 2.4610 (Hastelloy)

FLOW METER M123, M23 *including Accessories*

Material	Dimension	Effective Range	Airborne Particles	Connection type
PA, PSU Code 75	DN25 / d32 1" – DN65 / d75 2 ½"	15 – 60.000 l/h PVDF solenoid	PVDF	PVC-U solvent socket (ASTM, DIN, JIS) } M23
PVC-U, PSU Code 75	DN10 / d16 ⅝" – DN25 d32 1"	1,5 – 1.000 l/h PVDF solenoid	PVDF	PP, PVDF fusion socket } M123

→ Accessories: Special scale, end switch, etc on request.





PVC-U PIPES, FLEX-HOSES, FITTINGS AND SOLVENT CEMENT



Uncomplicated, adhesive-free pipe connections for swimming pools, -ponds wellness, water treatment industry.

Environmentally friendly PVC fittings from Praher. Precision parts with above average durability, due to the use of high quality plastics that meet European health standards. Together a kind of building block system with exactly balanced tolerances for quick and easy installation under the most diverse conditions.

Advantages of the PVC-U Energy series:

- first class chemical resistance
- simple processing because of low specific weight
- quick connection with special PVC-U solvent cement, secures long-lasting connection (above average durability at correct application: 50 years)
- first class cost/performance ratio
- Application 0 – 60 °C
- KIWA certification

Range of application:

- private, public swimming pools and water treatment industry
- fish farming
- irrigation industry
- swimming pond industry

PVC Energy Pipes PN 6, 10, 16

D16 – D400, 6m
EN 1452 – 2



PVC Energy Flex-Hose PN4

D20 – D90, 25m coil



Elbow 90°

D16 – D160



Flange PVC & GFK

D20 – D400



Flex-Fit Tee clamp connection

D50 – D63



Elbow 90° solvent socket - female thread

D16 – D110



PP GF Pipe Hanger

for DIN JIS ANSI pipe systems including distance plate
D16 – D90



Tee

D20 – D400



TEAM SPIRIT

Innovation, engagement, productivity, logistics, service

... all from a single source.

When we began to design valves, everything was still very small. We had no large factories and no large trucks.

In only a few months we had so much to do that we were unable to cope with only two of us. In the meantime we are a business with 280 employees and manufacture what we can do best.

We have learned a great deal; a great deal has changed, but our enthusiasm for manufacturing the best consumer goods in plastic materials of the highest quality is unbroken.



MBA Wolfgang Irndorfer

Prokurist
Managing Director



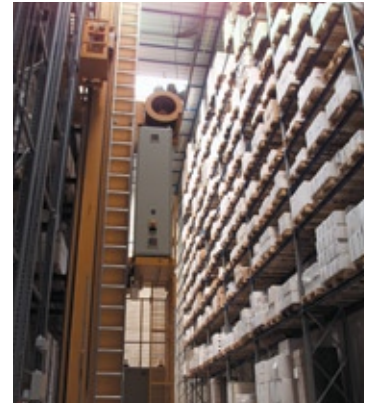
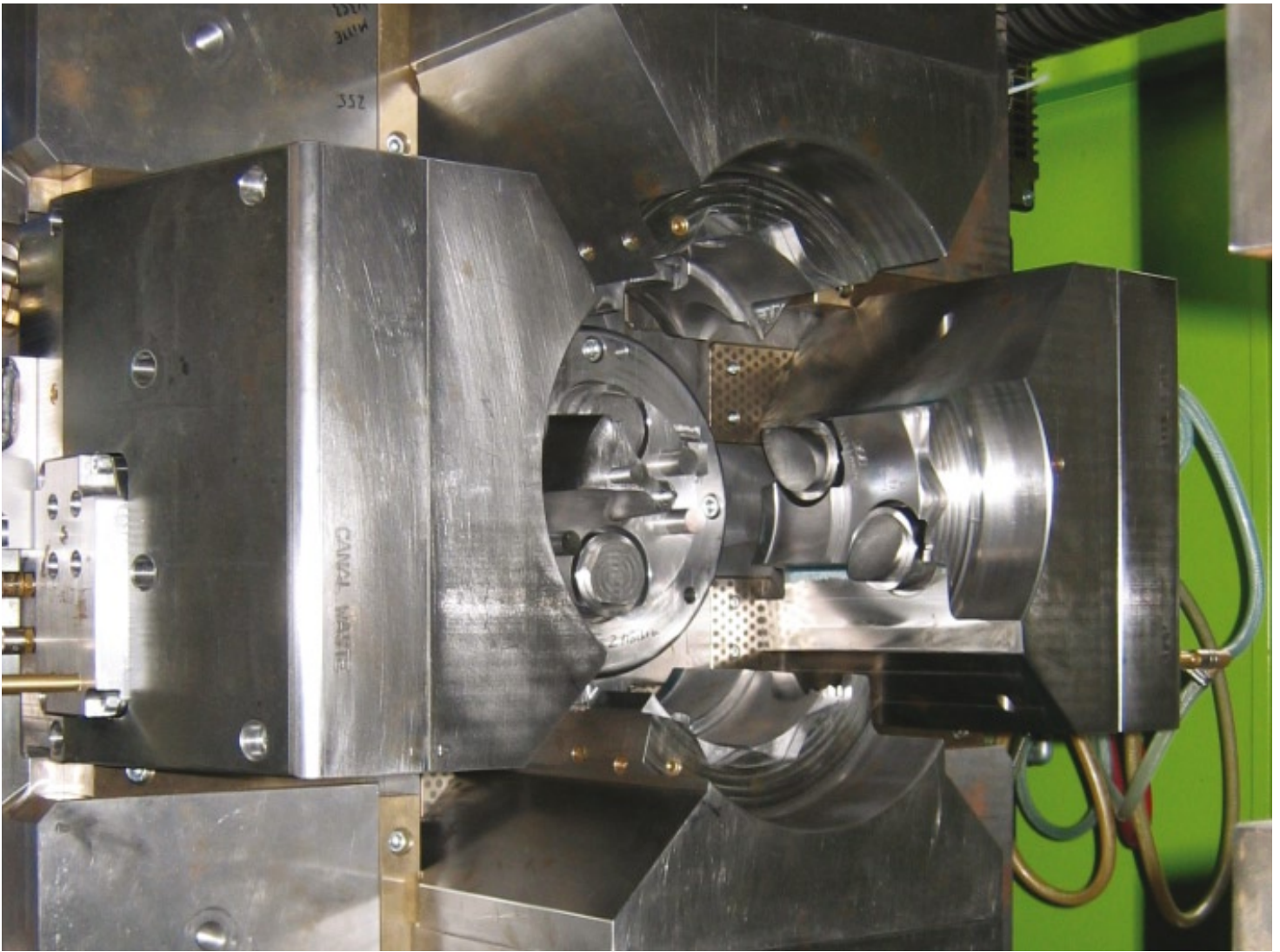
Austria / St. Valentin

Peraqua Professional Water Products GmbH
Logistikzentrum Austria/Export
4300 St.Valentin, Handelstraße 8



Austria / Schwertberg

Praher Kunststofftechnik GmbH
Central Production / Research & Development



INTERNATIONAL CERTIFICATES



EN ISO 9001 : 2000 Certificate



ÖVE-Certificate for valves actuator



TGM



ÖQA-Certificate

PVC-U VALVES

Further detailed technical information available on request

MEMBERSHIPS



National Sanitation Foundation



Bundesverband Schwimmbad & Wellness E.V.



Österreichischer Verband
der Schwimmbad- und Saunaindustrie



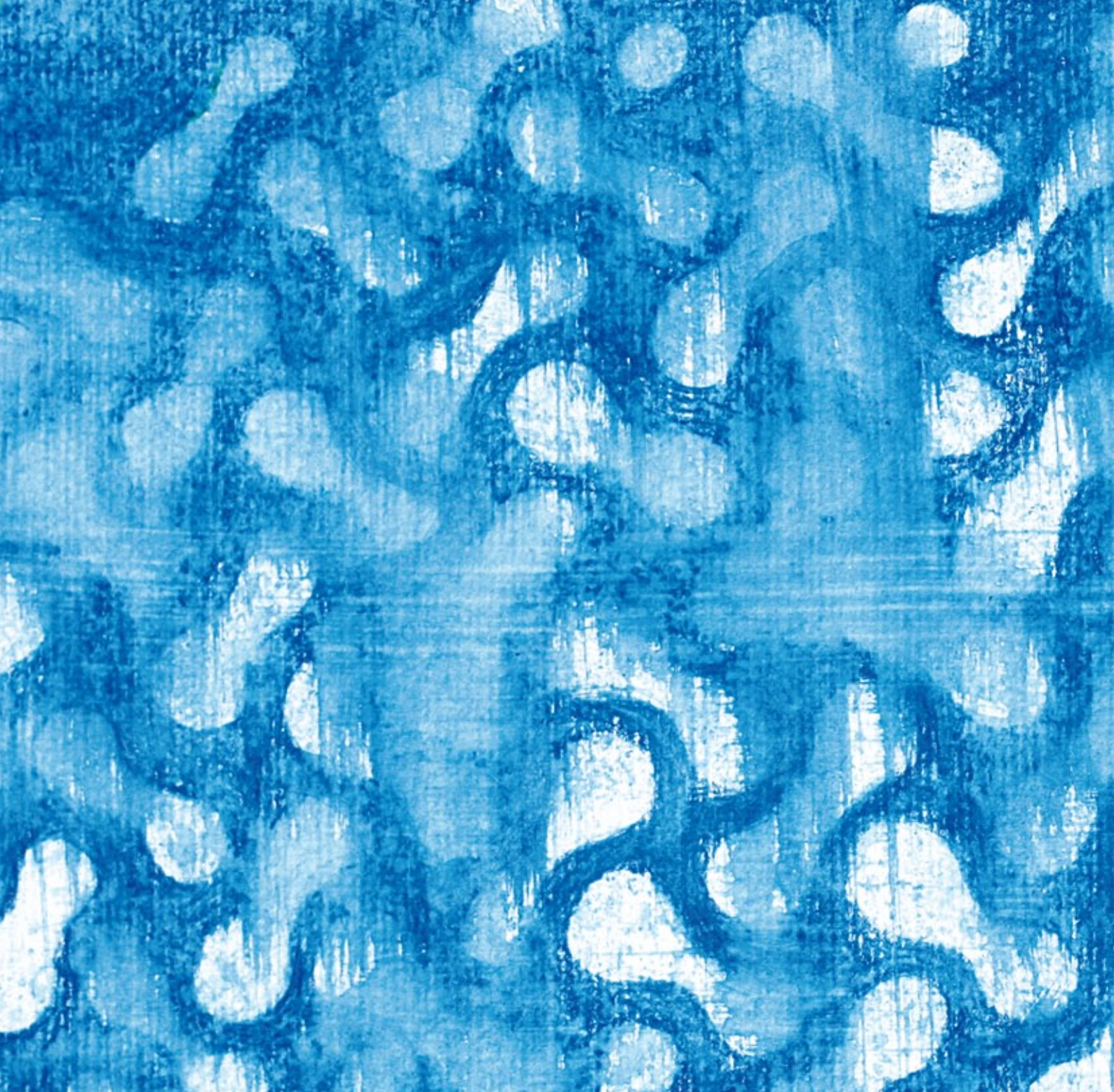
Fédération des Professionnels de la Piscine



Gost



Kiwa Water Research



PERAQUA®

english